

Table of Contents

Section Code	Section	Page Number
1	Important Safety Instructions	2
1	Safety Warning Labels and Serial Number	3
1	Reading the Product Specification Label	3
1	Specifications	3
1	Maintenance	4
1	Locking the Fan Assembly / Storage	5
1	Moving the Machine	5
1	Leveling the Machine	6
1	Replacing the Console Batteries	6
1	Troubleshooting	7
1	Console Service Mode	9
1	Console Error Codes	9
1	Maintenance Parts Exploded View	10
1	Torque Specifications	11
1	Replacement Procedure Skill Level	11
	Mechanical Procedures	
2	Belt Tension Adjustment	12
	Part Replacement	
3	Pedals	16
4	Water Bottle Holder	18
5	Console	20
6	Console Mast	23
7	Transport Wheels	26
8	Levelers	28
9	Seat Post	30
10	Handlebar Arms and Foot Pegs	32
11	Crank Arm Assembly	35
12	Shrouds and Footpad	37
13	Fan Cage	39
14	Linkage Arms	41
15	RPM Sensor (Speed Sensor)	44
16	Drive Belt and Fan Assembly	47
17	Rear Idler Pulley	55
18	Crank Link Assembly	58
19	Power Inlet	61

NOTICE: This document provides important safety instructions, adjustments, and general troubleshooting information for the maintenance of the Schwinn® AD7 AirDyne® Bike.

If you need assistance, please call Schwinn Customer Service (if purchased in US/Canada) or your local distributor (if purchased outside US/Canada). To find your local distributor, go to: www.nautilusinternational.com



This icon means a potentially hazardous situation which, if not avoided, could result in death or serious injury. Read and understand all Warnings on this machine.

Nautilus, Inc., www.NautilusInc.com, 5415 Centerpoint Parkway, Groveport, OH 43125 U.S.A. - Customer Service: North America (800) 605-3369, csnls@nautilus.com | outside U.S. www.nautilusinternational.com | © 2016 Nautilus, Inc. | Schwinn, the Schwinn Quality logo, and AirDyne are trademarks owned by or licensed to Nautilus, Inc., which are registered or otherwise protected by common law in the United States and other countries. Polar® is a registered trademark of its owner. | ORIGINAL DOCUMENT - ENGLISH VERSION ONLY

Important Safety Instructions



This icon means a potentially hazardous situation which, if not avoided, could result in death or serious injury. Read and understand all Warnings on this machine.

Before servicing or using this equipment, obey the following warnings:



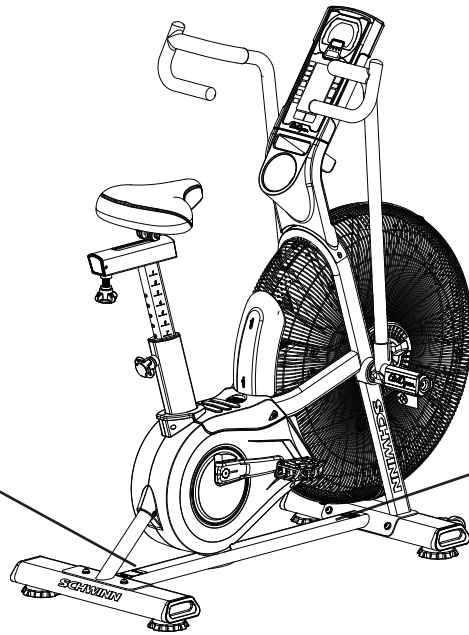
Read and understand the Service Manual before working on the machine. Failure to obey the instructions and safety warnings could cause injury to the service technician or bystanders.

- Keep bystanders and children away from the product being serviced at all times.
- Make sure that the repair is done in an appropriate work space away from foot traffic and exposure to bystanders.
- Disconnect all power to the machine before you service it.
- Some components of the equipment can be heavy or awkward. Enlist the service of a second person when you do maintenance steps involving these components. Do not try to do heavy or awkward steps on your own.
- If replacement parts are necessary, use only genuine replacement parts and hardware supplied by Nautilus. Failure to use genuine replacement parts can cause a risk to users, keep the machine from operating correctly and void the warranty.
- Be sure that all warning stickers and instructional placards applied to the product stay present and in good condition when doing maintenance or replacing components. If at any time the Warning labels become loose, unreadable or dislodged, replace the labels. If purchased in US/Canada, contact Customer Service for replacement labels. If purchased outside US/Canada, contact your local distributor for them..
- Do not try to change the design or functionality of the machine being serviced as this can adversely affect user safety.
- Do not put the machine back in service until all shrouds, instructions, warning labels and correct functionality have been verified and tested for correct performance.
- **SAVE THESE INSTRUCTIONS.**

Safety Warning Labels and Serial Numbers

Serial number

Product specification



WARNING!

- Keep children away.
- Not intended for use by anyone under 14 years of age.
- Prior to use, read and understand the Owner's Manual.
- Injury or death is possible if Caution is not used while using this machine.
- Cease exercise if you feel faint or dizzy.
- The maximum user weight for this machine is 158kg (350lb).
- Keep body, clothing and fitness accessories clear of all moving parts.
- Inspect the equipment before use and do not use if the machine appears damaged or inoperable.
- Replace any "Caution", "Warning" or "Danger" label that is illegible, damaged, or removed.
- This machine is for home use only.
- When put in a home, lock the machine when not in operation.
- The heart rate displayed is an approximation and should be used for reference only.
- Consult a physician prior to using any exercise equipment.

Reading the Product Specification Decal

The Manufacture Date on the Product Specification Decal is a date code: YY/WW (year/week).

Manufacture Date Code: YYWW			

Specifications

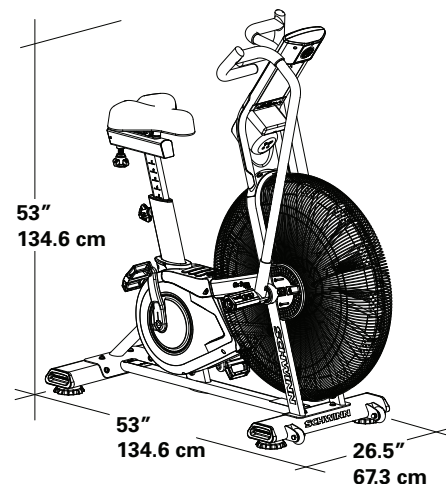
Maximum User Weight: 350 lbs. (159 kg)

Machine Weight: 113 lbs. (51.3 kg)


Power Requirements: 2 D Batteries (LR20)
Operating Voltage: 3VDC

Regulatory Approvals:

Optional AC Power Adapter: UL listed, Rated 120V 60Hz Input, 9VDC, 1500mA Output. Class 2.



Read all maintenance instructions fully before you start any repair work. In some conditions, an assistant is required to do the necessary tasks.

 **Equipment must be regularly examined for damage and repairs. The owner is responsible to make sure that regular maintenance is done. Worn, damaged or loose components must be repaired or replaced immediately. Only manufacturer supplied components can be used to maintain and repair the equipment.**

If at any time the Warning labels become loose, unreadable or dislodged, replace the labels. If purchased in US/Canada, contact Customer Service for replacement labels. If purchased outside US/Canada, contact your local distributor for them.


Disconnect all power to the machine before you service it.

Daily: Before each use, examine the exercise machine for loose, broken, damaged, or worn parts. Do not use if found in this condition. Repair or replace all parts at the first sign of wear or damage. After each workout, use a damp cloth to wipe your machine and Console free of moisture.

Note: Avoid excessive moisture on the Console.

NOTICE: If necessary, only use a mild dish soap with a soft cloth to clean the Console. Do not clean with a petroleum based solvent, automotive cleaner, or any product that contains ammonia. Do not clean the Console in direct sunlight or at high temperatures. Be sure to keep the Console free of moisture.

Weekly: Check pedals, crank arms and handlebars and tighten as necessary.

 **Since this machine operates with a fixed gear, do not back, or reverse, pedal. Doing so may loosen the Pedals, which could result in damage to the machine and/or injury to the user. Never operate this machine with loose Pedals.**

Clean the machine to remove any dust, dirt, or grime from the surfaces. Check for smooth seat operation. If needed, sparingly apply a thin coating of silicone lube to ease operation.

 **Silicone lubricant is not intended for human consumption. Keep out of reach of children. Store in a safe place.**

Note: Do not use petroleum based products.

Monthly or after 20 hours: Make sure all bolts and screws are tight. Tighten as necessary. Check drive belt for signs of wear. Rotate crank arms by hand and observe the belt through the fan cage.

 **Be aware that the Crank Arms, Handlebars and Resistance Fan are connected and when any of these parts move, the others do as well.**

 **Only use replacement Pedals available from Nautilus. Other brands of Pedals may not be designed for Indoor Cycling or this product, and can cause danger to users and bystanders , and will void the warranty.**

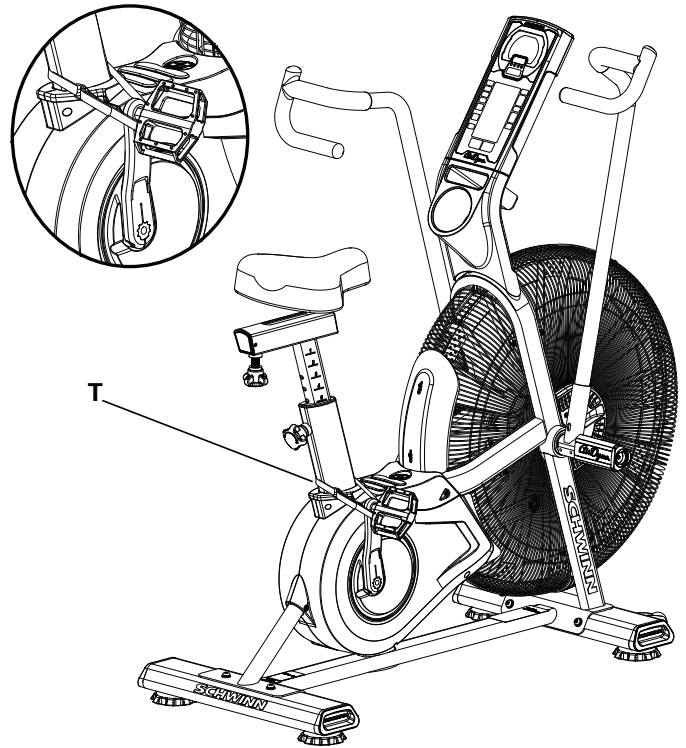
Locking the Fan Assembly / Storage

When the machine is not in use, be sure to lock the Fan Assembly with the Transport and Immobilization Strap. The fan assembly should be locked for storage of the machine.

- !** For safe storage of the machine, remove the batteries and install the Transport and Immobilization Strap to secure the Resistance Fan. Place the machine in a secure location away from children and pets. Be aware that the Pedals, Handlebars and Resistance Fan are connected and when any of these parts move, the others do as well.

To lock the Fan Assembly:

1. Move the Pedals so that one Crank Arm is as close as possible to the Seat Post.
2. Wrap the Transport and Immobilization Strap (T) around the Crank Arm and the Seat Post and put the end of the strap through the metal ring. Tighten the strap to prevent movement of the Pedals and secure the strap.



Moving the Machine

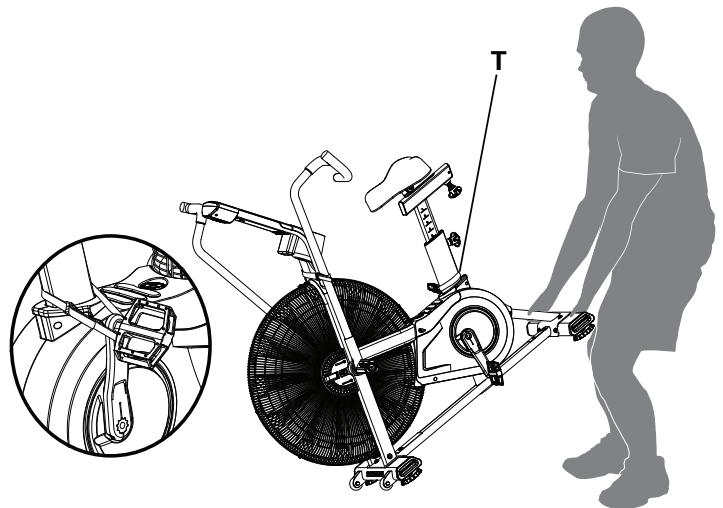
- !** The machine may be moved by one or more persons depending on their physical abilities and capacities. Make sure that you and others are all physically fit and able to move the machine safely. Use proper safety precautions and lifting techniques.

1. Secure the Crank Arm to the Seat Post with the Transport and Immobilization Strap (T).
2. Use the Rear Stabilizer to carefully lift the machine onto the transport rollers.

Note: Be sure to keep the fan assembly clear of the floor.

3. Push the machine into position.
4. Carefully lower the machine into position.

NOTICE: Be careful when you move the machine. Abrupt motions can affect the computer operation.



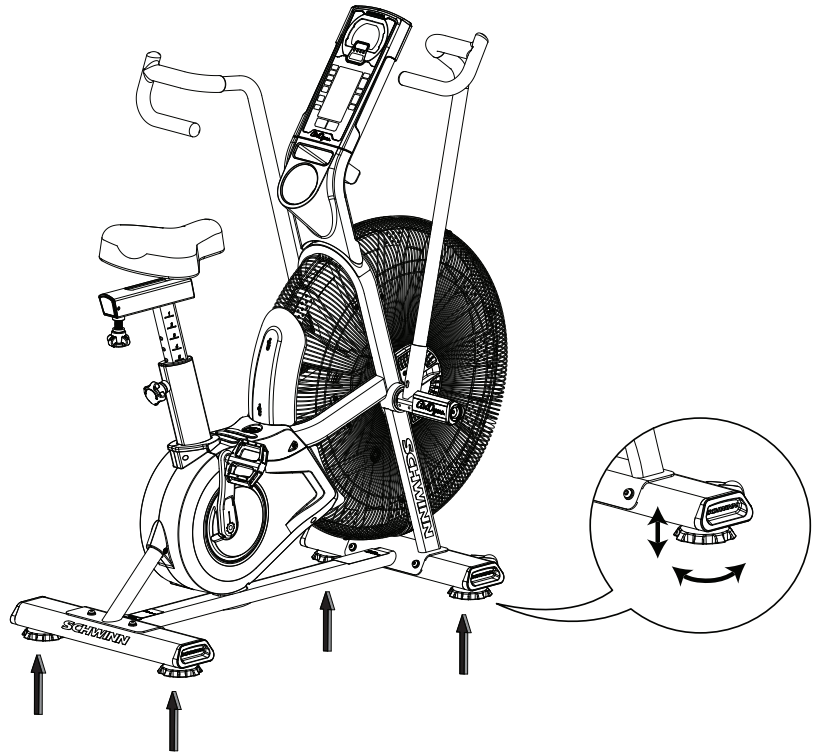
Leveling the Machine

The machine needs to be leveled if your workout area is uneven. Levelers are on each side of the Stabilizers. To adjust:

1. Place the machine in your workout area.
2. Turn the stabilizer feet to adjust until they are evenly balanced and in contact with the floor.

⚠ Do not adjust the levelers to such a height that they detach or unscrew from the machine. Injury to you or damage to the machine can occur.

Make sure the machine is level and stable before you exercise.



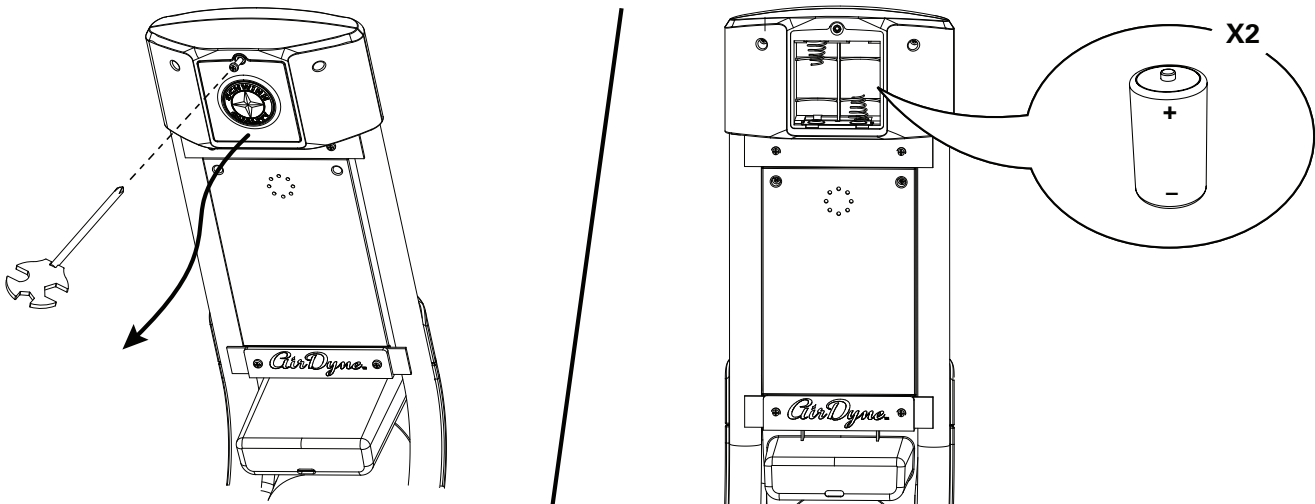
Replacing the Console Batteries

The Console will display the Battery Indicator icon when the batteries are around 25% of their rated power during power up. If you use rechargeable batteries, the optional power adapter will not recharge the batteries.

To open the battery bay, loosen the preinstalled screw in the cover. When replacing the batteries, make sure the batteries point in the +/- direction shown in the battery bay.

Note: The console uses D size batteries (LR20)

⚠ Do not mix old and new batteries.
Do not mix alkaline, standard (carbon-zinc), or rechargeable (Ni-Cd, Ni-MH, etc) batteries.



Troubleshooting

Condition/Problem	Things to Check	Solution
Console will not power up/turn on/start	If bike has AC adapter, check electrical (wall) outlet	Make sure unit is plugged into a functioning wall outlet.
	If bike has AC adapter, check connection at unit	Connection should be secure and undamaged. Replace adapter or connection at unit if either are damaged.
	If bike has batteries, check Battery Indicator on console or check batteries.	Make sure batteries are installed correctly. If batteries are correctly installed, replace with a set of new batteries.
	Check data cable integrity	All wires in cable should be intact. If any are visibly crimped or cut, replace cable.
	Check data cable connections/orientation	Make sure cable is connected securely and oriented properly. Small latch on connector should line up and snap into place.
	Check console display for damage	Check for visual sign that console display is cracked or otherwise damaged. Replace Console if damaged.
		If the above steps do not resolve the problem, contact Customer Care for further assistance.
Speed displayed is not accurate	Check Speed Sensor Magnet position (requires fan cover removal)	Speed Sensor Magnets should be in place on Fan assembly.
Speed displayed is always "0"/stuck in Pause mode	Data cable	Make sure the data cable is connected to the back of the Console and the main frame assembly.
	Speed Sensor (requires fan cover removal)	Make sure the Speed Sensor Magnets and the Speed Sensor are in place.
No speed/RPM reading	Check data cable integrity	All wires in cable should be intact. If any are cut or crimped, replace cable.
	Check data cable connections/orientation	Be sure cable is connected securely and oriented properly. Small latch on connector should line up and snap into place.
	Check Speed Sensor Magnet position (requires fan cover removal)	Magnets should be in place on Fan assembly.
	Check Speed Sensor Assembly (requires fan cover removal)	Speed Sensor Assembly should be aligned with magnets and connected to data cable. Realign sensor if necessary. Replace if there is any damage to the sensor or the connecting wire.
Console displays battery icon	Batteries	Replace batteries
Unit operates but Telemetric Heart Rate not displayed	Chest Strap (optional)	Strap should be "POLAR®" compatible and uncoded. Make sure strap is directly against skin and contact area is wet.
	Chest Strap Batteries	If strap has replaceable batteries, install new batteries.
	Interference	Try moving unit away from sources of interference (TV, Microwave, etc).
	Replace Chest Strap	If interference is eliminated and HR does not function, replace strap.
	Replace Console	If HR still does not function, replace Console.
Console shuts off (enters sleep mode) while in use	Check data cable integrity	All wires in the cable should be intact. If any are cut or crimped, replace cable.
	Check data cable connections/orientation	Be sure cable is connected securely and oriented properly. Small latch on connector should line up and snap into place.

Condition/Problem	Things to Check	Solution
	If bike has batteries, check Battery Indicator on console or check batteries.	Make sure batteries are installed correctly. If batteries are correctly installed, replace with a set of new batteries.
	Check Speed Sensor Magnet position (requires fan cover removal)	Speed Sensor Magnets should be in place on Fan assembly.
	Check Speed Sensor Assembly	Contact Customer Care for further assistance.
Console displays “err 1” message	Check Console keypad for stuck key	Contact Customer Care for further assistance.
Unit rocks/does not sit level	Check leveler adjustment	Leveling feet may be turned in or out to level bike.
	Check surface under unit	Adjustment may not be able to compensate for extremely uneven surfaces. Move bike to level area.
Pedals loose/unit difficult to pedal	Check pedal to crank connection	Pedal should be tightened securely to crank arm. Be sure connection is not cross-threaded.
	Check crank arm to axle connection	Crank arm should be tightened securely to axle. (Screw torque = 60 N·m.)
	Crank link to pulley connection	If the left crank arm still feels loose with correct torque applied and the crank link shaft is moving with the crank arm, replace the crank link assembly.
Clicking sound when pedaling	Check pedal to crank connection	Remove pedals. Make sure there is no debris on threads, and reinstall the pedals.
	Check fan alignment (requires fan cover removal)	Refer to the “Adjust the Belt Tension” procedure in the Service Manual.
Seat post movement	Check locking pin	Be sure adjustment pin is locked into one of the seat post adjustment holes.
	Check locking knob	Be sure knob is securely tightened.
Handlebar arms click/tick during movement	Check hardware	Screws at the base of handlebar arms should be tightened securely. (Screw torque = 40 N·m.)

Console Service Mode

The Console Service Mode lets you see the total time and distance the machine has been used, or find out which version of Firmware is installed.

1. Hold down the STOP/RESET button and Decrease (▼) button together for 3 seconds while in the Idle Mode to go into the Console Service Mode.
2. The Console display shows the machine statistics:
 - Total Machine Time—number of hours (in Time/Interval field). Maximum display is 9999.
 - Total Machine Distance—number of miles (in cumulative metrics field).

Push the Decrease button to go to the metric display option:

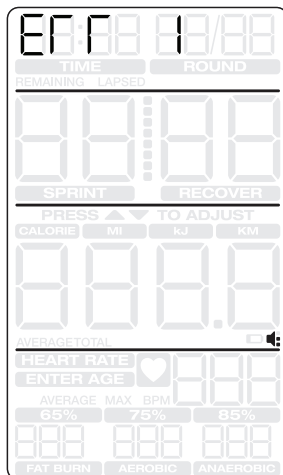
 - Total Machine Time—number of hours (in Time/Interval field). Maximum display is 9999.
 - Total Machine Distance—number of kilometers in 10-kilometer increments (in cumulative metrics field).
3. Push STOP/RESET to exit Console Service Mode. Push the Decrease button to go to the next option.
4. The Console display shows the Firmware Version.
5. Push STOP/RESET to exit Console Service Mode.

In Service Mode if the Console does not receive any input in approximately 5 minutes, it goes into Sleep Mode.

Console Error Codes

Console display error	Condition
Err 1	Stuck button - any button is depressed longer than 90 seconds.

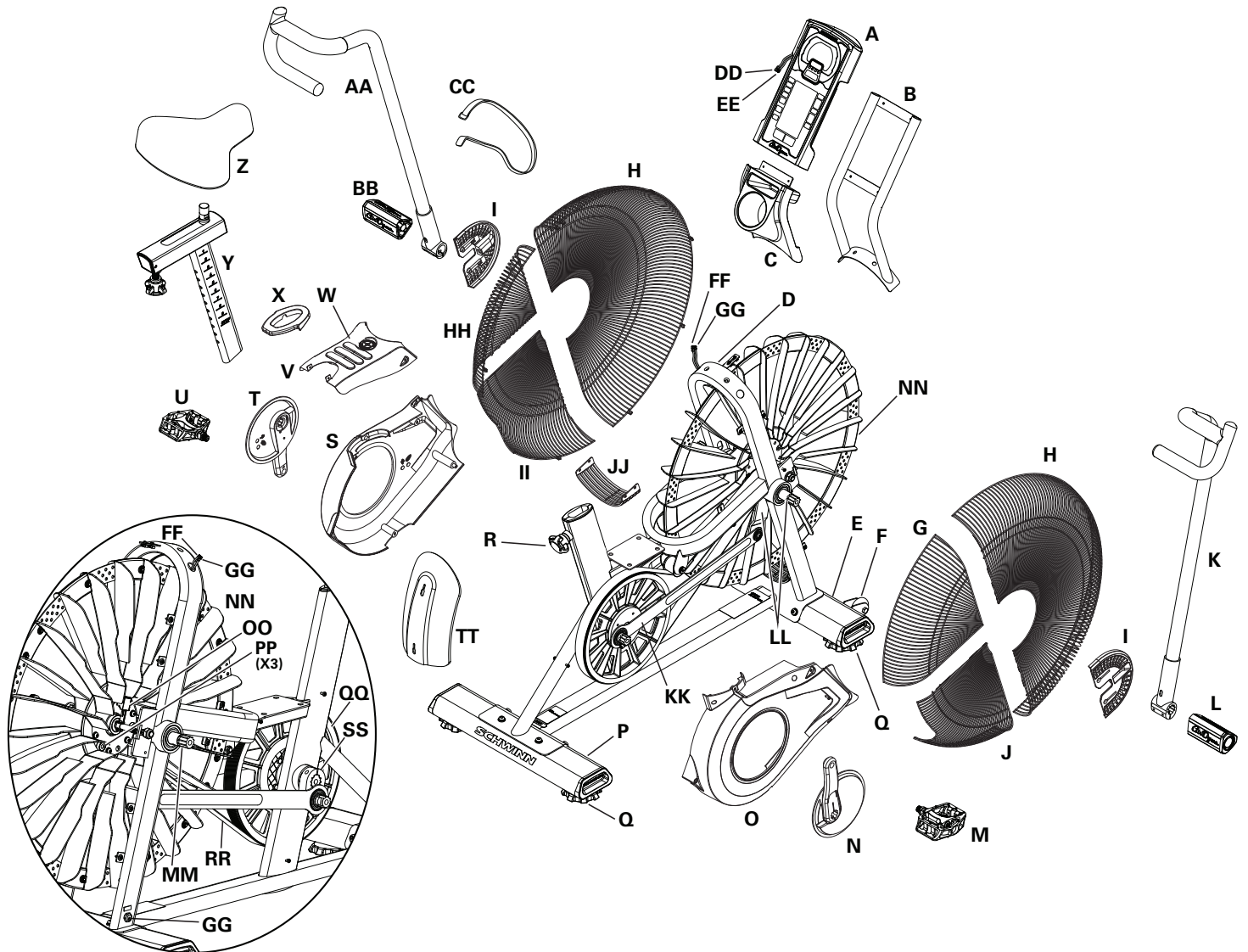
Console error display format



Stuck button

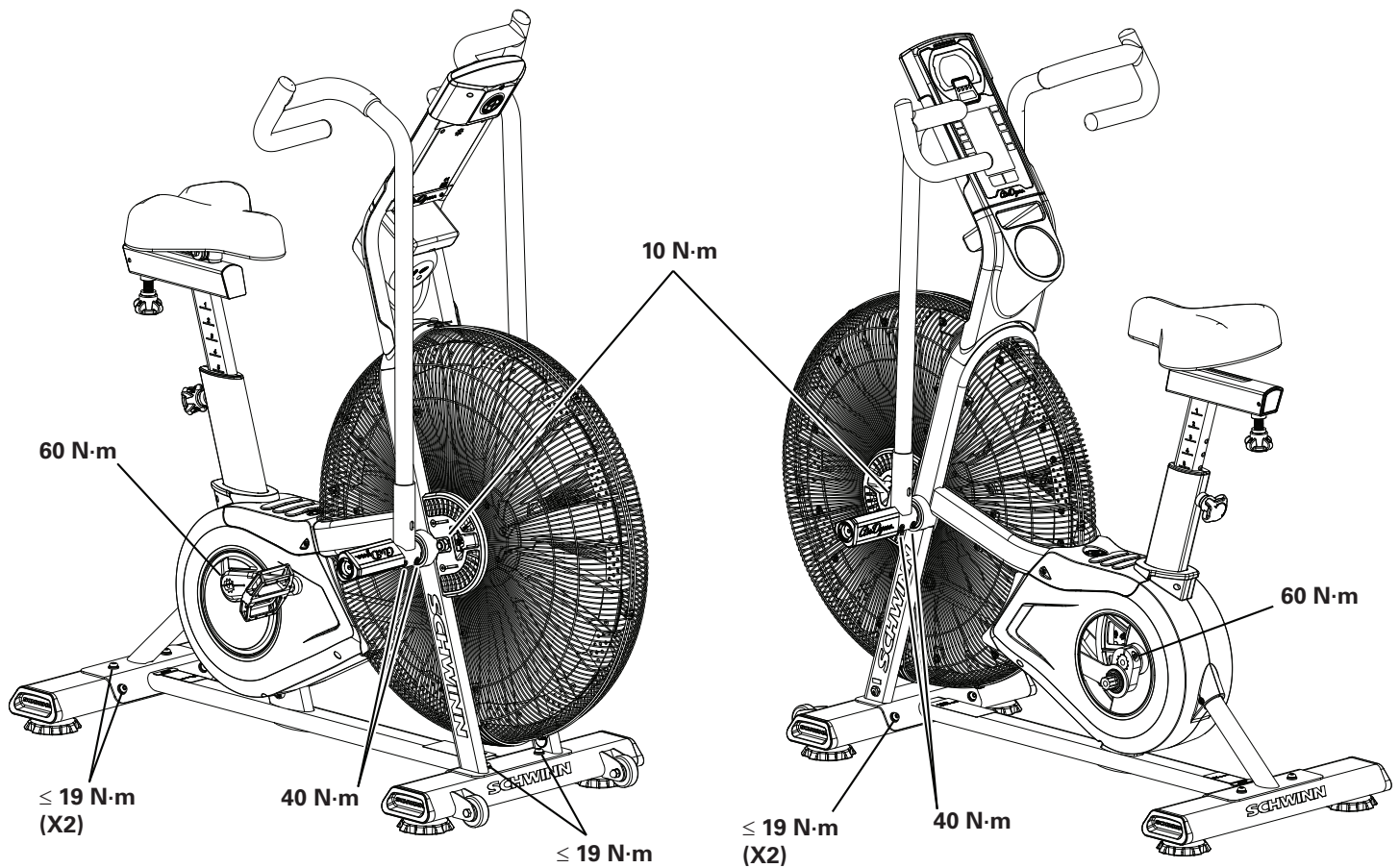
Maintenance Parts

Your machine may differ. Use only as a guide.



A	Console	Q	Leveler	GG	Power Inlet Assembly
B	Console Mast	R	Seat Adjustment Knob	HH	Fan Cage, Upper Left
C	Water Bottle Holder	S	Shroud, Left	II	Fan Cage, Lower Left
D	Frame	T	Crank Arm, Left	JJ	Fan Cage, Lower Filler
E	Stabilizer, Front	U	Pedal, Left	KK	Linkage Arm
F	Transport Wheel	V	Shroud, Top	LL	Arm Pivot, Right
G	Fan Cage, Upper Right	W	Foot Step Pad	MM	Arm Pivot, Left
H	Fan Cage, Front	X	Grommet	NN	Resistance Fan Assembly
I	Fan Cage Side Cover	Y	Seat Post	OO	RPM (Speed) Sensor Assembly
J	Fan Cage, Lower Right	Z	Seat	PP	Speed Sensor Magnets
K	Handlebar, Right	AA	Handlebar, Left	QQ	Drive Pulley
L	Foot Peg, Right	BB	Foot Peg, Left	RR	Drive Belt
M	Pedal, Right	CC	Strap, Transport/Immobilization	SS	Crank Link Assembly
N	Crank Arm, Right	DD	Data Cable, Upper	TT	AirDyne® Air Diverter
O	Shroud, Right	EE	Power Wire, Upper		
P	Stabilizer, Rear	FF	Data Cable, Lower		

Torque Specifications



REPLACEMENT PROCEDURE SKILL LEVEL

- Level I : Low - very little mechanical knowledge or exposure.
Level II : Intermediate - some experience with mechanical procedures
Level III : Advanced - knowledgeable about mechanical procedures



Disconnect all power to the machine before you service it.

When disposing of old parts, obey the applicable local and provincial requirements.

For instructions to replace the following parts, please refer to the Assembly Manual for your bike:

- AC Adapter
- Seat
- Front Stabilizer
- Rear Stabilizer

NOTICE: This document provides instructions for the adjustment of the Drive Belt tension on the Schwinn® AD7 AirDyne® Bike.

If you need assistance, please call Schwinn Customer Service (if purchased in US/Canada) or your local distributor (if purchased outside US/Canada). To find your local distributor, go to: www.nautilusinternational.com

⚠ This icon means a potentially hazardous situation which, if not avoided, could result in death or serious injury. Read and understand all Warnings on this machine.

Nautilus, Inc., www.NautilusInc.com, 5415 Centerpoint Parkway, Groveport, OH 43125 U.S.A. - Customer Service: North America (800) 605-3369, csnls@nautilus.com | outside U.S. www.nautilusinternational.com | © 2016 Nautilus, Inc. | Schwinn, the Schwinn Quality logo, and AirDyne are trademarks owned by or licensed to Nautilus, Inc., which are registered or otherwise protected by common law in the United States and other countries. Polar® is a registered trademarks of its owner. | ORIGINAL DOCUMENT - ENGLISH VERSION ONLY

Important Safety Instructions

⚠ This icon means a potentially hazardous situation which, if not avoided, could result in death or serious injury. Read and understand all Warnings on this machine.

Before servicing or using this equipment, obey the following warnings:

⚠ Read and understand the Service Manual before working on the machine. Failure to obey the instructions and safety warnings could cause injury to the service technician or bystanders.

- Keep bystanders and children away from the product being serviced at all times.
- Make sure that the repair is done in an appropriate work space away from foot traffic and exposure to bystanders.
- Disconnect all power to the machine before you service it.
- Some components of the equipment can be heavy or awkward. Enlist the service of a second person when you do maintenance steps involving these components. Do not try to do heavy or awkward steps on your own.
- If replacement parts are necessary, use only genuine replacement parts and hardware supplied by Nautilus. Failure to use genuine replacement parts can cause a risk to users, keep the machine from operating correctly and void the warranty.
- Be sure that all warning stickers and instructional placards applied to the product stay present and in good condition when doing maintenance or replacing components. If at any time the Warning labels become loose, unreadable or dislodged, replace the labels. If purchased in US/Canada, contact Customer Service for replacement labels. If purchased outside US/Canada, contact your local distributor for them..
- Do not try to change the design or functionality of the machine being serviced as this can adversely affect user safety.
- Do not put the machine back in service until all shrouds, instructions, warning labels and correct functionality have been verified and tested for correct performance.

• SAVE THESE INSTRUCTIONS.

Tools Required (not included)

19mm or 3/4" open end wrench
10mm open end wrench



#2 Phillips screwdriver



28mm spacer (or extra drive belt)



NOTICE: It may be necessary to remove the Shrouds for this procedure. Refer to the “Replace the Shrouds” procedure

Note: Your machine may not match the image. For reference only.

1. To test the Drive Belt tension, sit on the bike and use the pedals and handlebar arms at approximately 20 RPM. Then accelerate quickly (speed burst) to your maximum ability and feel whether the Drive Belt slips. If the pedals and arms move normally with no skipping (slip), the tension is correct.

If the tension is correct—go to Step 19.

If the tension is too loose or too tight—continue to Step 2.

2. Using a 19mm open end wrench, loosen the Fan spindle lock nuts (A) on both sides of the machine.

3. Using a 10mm open end wrench, adjust the Tension Adjustment Nuts (B) on the Threaded Tensioner (C) on both sides of the machine. Gradually turn the Adjustment Nut a 1/4 turn on each side. Tighten (clockwise) the Adjustment Nuts to increase the belt tension, loosen (counter-clockwise) to decrease.

NOTICE: Make sure to adjust the tension evenly on both sides of the machine.

4. Make sure the Fan’s center plane is aligned with the center of the bike. (See Figures 1 and 2.) If the Fan is not aligned, adjust the Tension Adjustment Nuts (B). Carefully turn the Crank Arms and check the movement of the Drive Belt. The Crank Arms and Fan Assembly should move as one.

⚠ Be sure to keep fingers clear of all pinch hazards when you turn the Crank Arms.

Repeat Step 1. Adjust the belt tension again if necessary.

5. Retighten the 19mm Fan spindle lock nuts (A). Make sure not to rotate the shaft as this could damage the RPM Sensor.

6. Test ride the machine to as high a speed as possible, and listen for unusual noises.

If the machine operates with no popping noises—go to Step 19.

If the Drive Belt or Fan makes noises—continue to Step 7.



Figure 1 (top view) – Correct

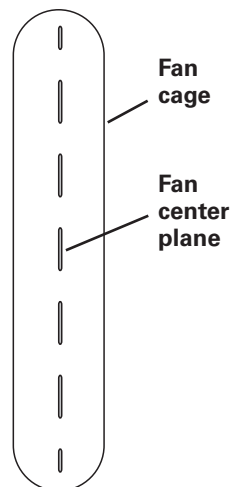
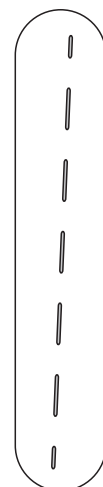
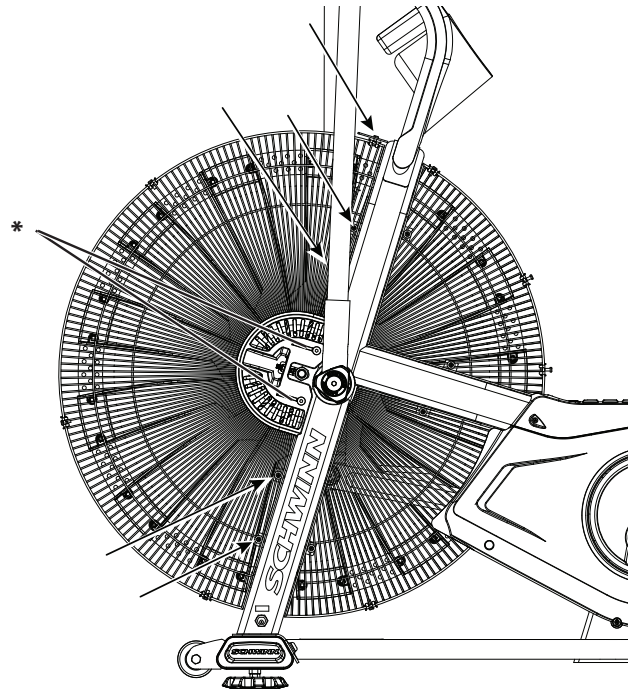


Figure 2 – Incorrect



7. Loosen and remove the indicated screws that attach the Fan Adjustment Plate Covers (*) and Front Fan Cage to the frame. Carefully remove the front Fan Cage sections and Fan Adjustment Plate Covers. Set them safely aside for reassembly.

NOTICE: Hold each section of the Fan Cage as you loosen the screws so that it does not fall. If necessary, loosen and remove the screws that attach the sections of the Fan Cage to each other.



8. Make sure the Drive Belt is centered on the Fan hub (E) and the Drive Pulley. The Fan hub should have at least 1 groove visible to the left of the belt, and not extend over the right side of the hub.

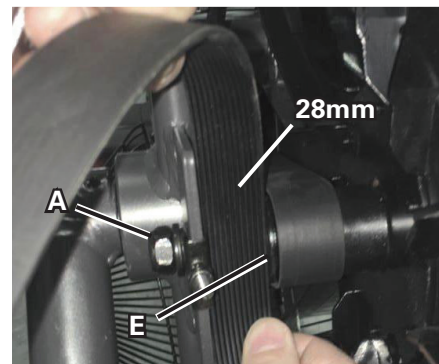
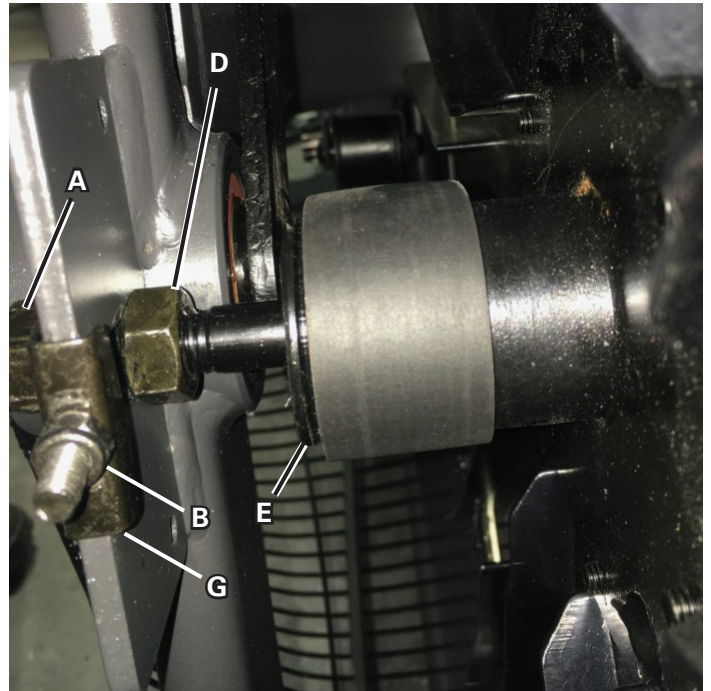
9. Check the side-to-side position of the Fan. The outer face of the Fan hub (E) should be 28mm from the frame bracket. (28mm = width of Drive Belt.)

Hand tighten the Fan spindle jam nuts (D) to secure the side-to-side position of the Fan hub and lock nuts (A) as necessary to align the Fan Pulley.

10. Loosen the Tension Adjustment Nuts (B) on each side of the Fan shaft until the Spindle Clips (G) are loose.

11. Tighten the Tension Adjustment Nuts (B) until the Spindle Clips (G) are not loose when moving them by hand. Tighten the right and left Adjustment Nuts 2 full turns.

Right side – Fan hub alignment (front top view)



12. Tighten the left Tension Adjustment Nut (B, on the side of the Fan without the belt) an additional 2 full turns.

13. Reinstall Fan Cage and test ride the machine to as high a speed as possible.

If the machine operates with no popping noises—go to Step 17.

If the Drive Belt or Fan makes noises—continue to Step 14.

14. Tighten the left Tension Adjustment Nut (B, on the side of the Fan without the belt) 1/2 turn at a time, and test for quiet operation. Repeat until the noise is gone. If the nut is adjusted more than 2 1/2 turns, the Fan Pulley (E) position may need adjustment. This is necessary if the Fan starts to make additional noise.

If the machine operates with no popping noises—go to Step 17.

If the Drive Belt or Fan makes additional noises—continue to Step 15.

15. Remove the Front Fan Cage (see Step 7). Loosen the Tension Adjustment Nuts (B) until the Spindle Clips (G) are loose. Loosen the right Fan spindle jam nut (D). Tighten the left Fan spindle jam nut 1 full turn (toward the Frame mount bracket). Retighten the right Fan spindle jam nut to the mount bracket.

Repeat Steps 11-14.

16. Reinstall the Fan Cage.

17. Using the 19 mm open end wrench, tighten the Fan spindle lock nuts (A).

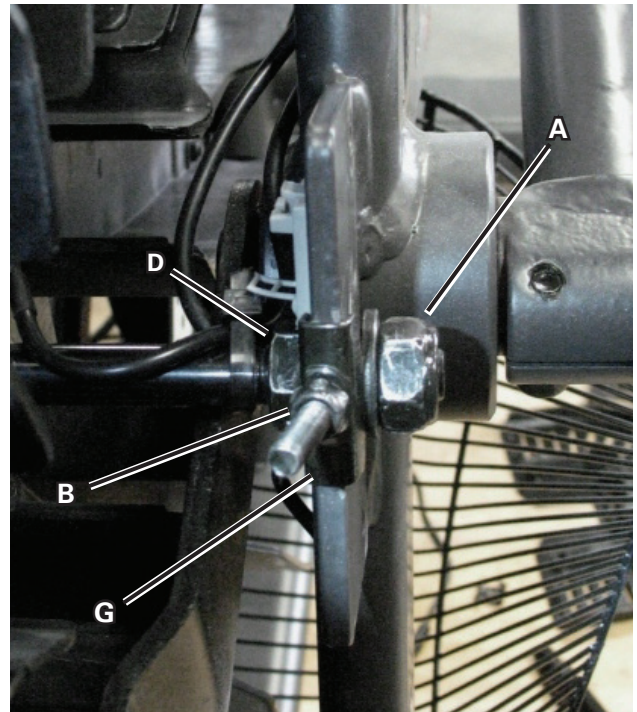
18. Reinstall the Fan Adjustment Plate Covers.

19. Final Inspection

Inspect your machine to ensure that all hardware is tight and components are properly assembled.

⚠ Do not use until the machine has been fully assembled and inspected for correct performance in accordance with the Owner's Manual.

Left side – Fan tension adjustment (top front view)



NOTICE: This document provides instructions for the replacement of the Pedals on the Schwinn® AD7 AirDyne® Bike.

If you need assistance, please call Schwinn Customer Service (if purchased in US/Canada) or your local distributor (if purchased outside US/Canada). To find your local distributor, go to: www.nautilusinternational.com

⚠ This icon means a potentially hazardous situation which, if not avoided, could result in death or serious injury. Read and understand all Warnings on this machine.

Nautilus, Inc., www.NautilusInc.com, 5415 Centerpoint Parkway, Groveport, OH 43125 U.S.A. - Customer Service: North America (800) 605-3369, csnls@nautilus.com | outside U.S. www.nautilusinternational.com | © 2016 Nautilus, Inc. | Schwinn, the Schwinn Quality logo, and AirDyne are trademarks owned by or licensed to Nautilus, Inc., which are registered or otherwise protected by common law in the United States and other countries. Polar® is a registered trademarks of its owner. | ORIGINAL DOCUMENT - ENGLISH VERSION ONLY

Important Safety Instructions

⚠ This icon means a potentially hazardous situation which, if not avoided, could result in death or serious injury. Read and understand all Warnings on this machine.

Before servicing or using this equipment, obey the following warnings:

⚠ Read and understand the Service Manual before working on the machine. Failure to obey the instructions and safety warnings could cause injury to the service technician or bystanders.

- Keep bystanders and children away from the product being serviced at all times.
- Make sure that the repair is done in an appropriate work space away from foot traffic and exposure to bystanders.
- Disconnect all power to the machine before you service it.
- Some components of the equipment can be heavy or awkward. Enlist the service of a second person when you do maintenance steps involving these components. Do not try to do heavy or awkward steps on your own.
- If replacement parts are necessary, use only genuine replacement parts and hardware supplied by Nautilus. Failure to use genuine replacement parts can cause a risk to users, keep the machine from operating correctly and void the warranty.
- Be sure that all warning stickers and instructional placards applied to the product stay present and in good condition when doing maintenance or replacing components. If at any time the Warning labels become loose, unreadable or dislodged, replace the labels. If purchased in US/Canada, contact Customer Service for replacement labels. If purchased outside US/Canada, contact your local distributor for them..
- Do not try to change the design or functionality of the machine being serviced as this can adversely affect user safety.
- Do not put the machine back in service until all shrouds, instructions, warning labels and correct functionality have been verified and tested for correct performance.

• SAVE THESE INSTRUCTIONS.

Tools Required (not included)

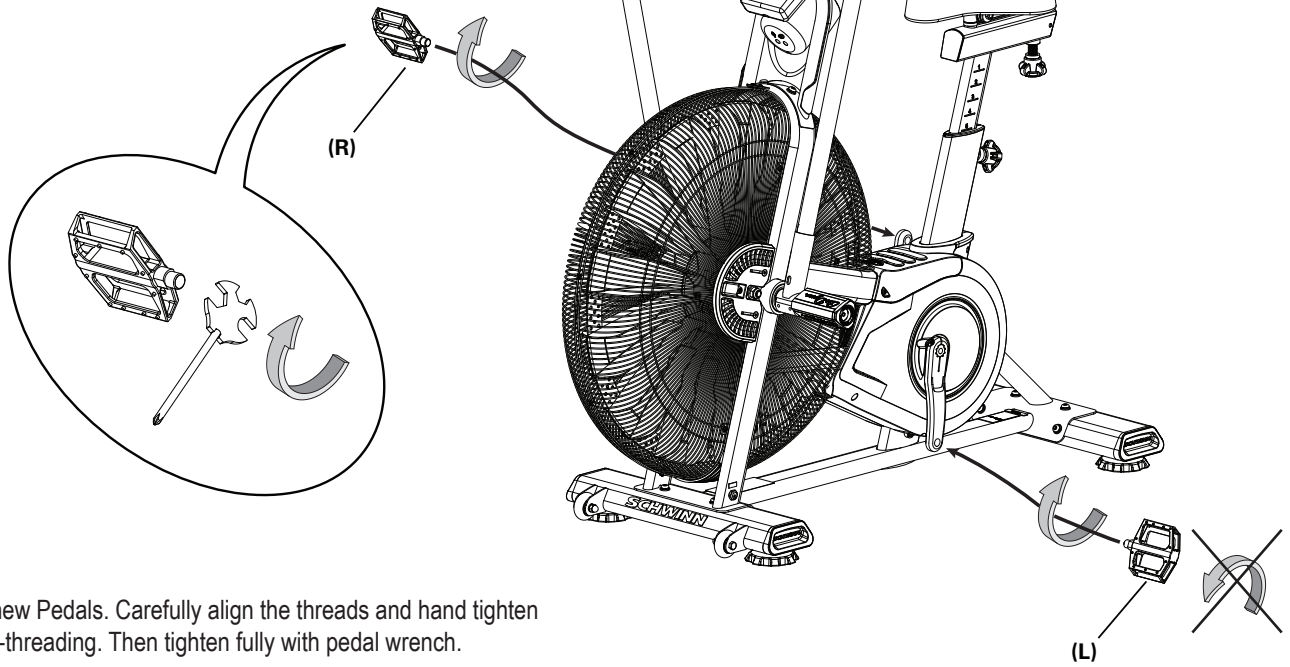
Pedal wrench
or 15 mm open end wrench



Note: Your machine may not match the image. For reference only.

1. Loosen and remove the old Pedals. Discard the old Pedals.

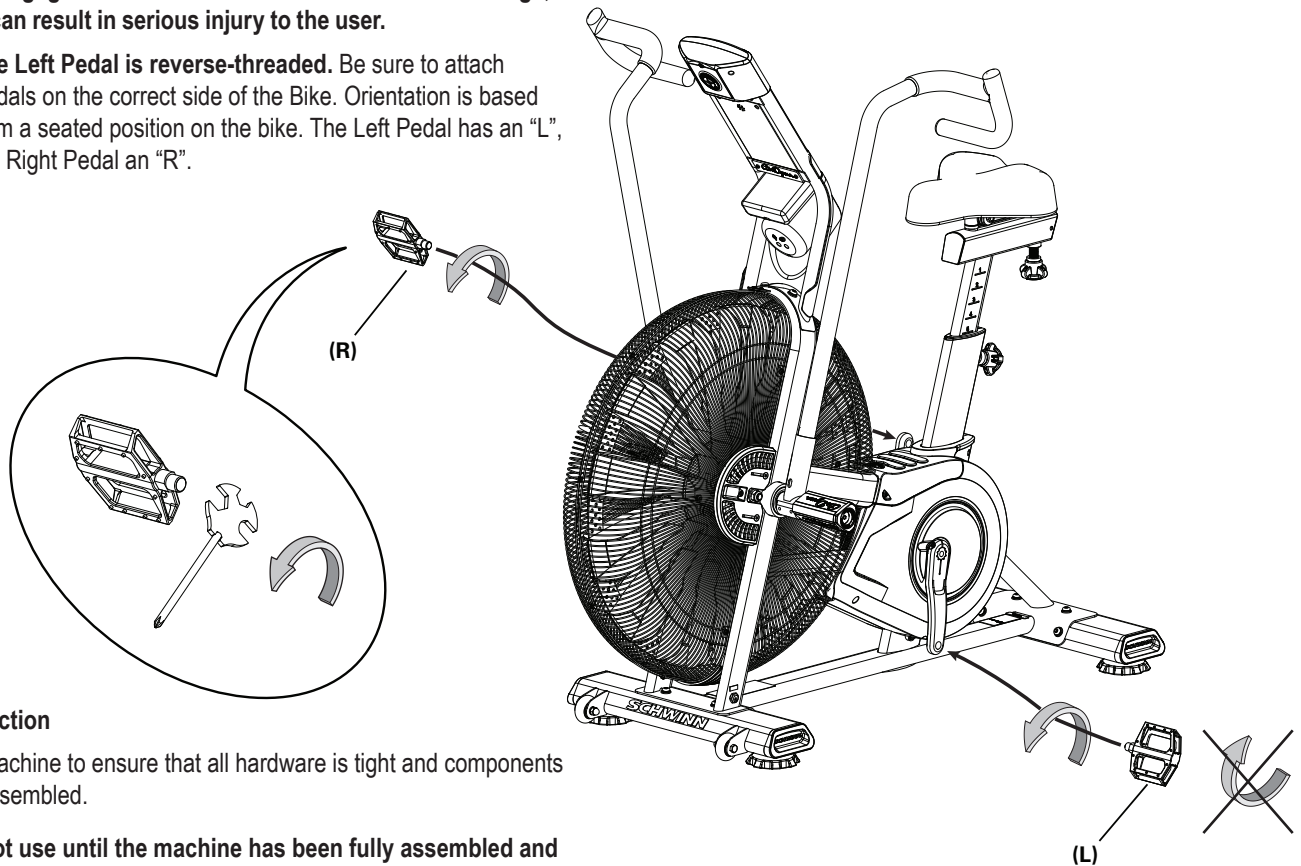
Note: The Left Pedal is reverse-threaded. Orientation is based from a seated position on the bike. The Left Pedal has an "L", the Right Pedal an "R".



2. Install the new Pedals. Carefully align the threads and hand tighten to prevent cross-threading. Then tighten fully with pedal wrench.

! If the threads strip due to improper installation, then the Pedals can disengage from the bike and/or break while under usage, which can result in serious injury to the user.

Note: The Left Pedal is reverse-threaded. Be sure to attach Pedals on the correct side of the Bike. Orientation is based from a seated position on the bike. The Left Pedal has an "L", the Right Pedal an "R".



3. Final Inspection

Inspect your machine to ensure that all hardware is tight and components are properly assembled.

! Do not use until the machine has been fully assembled and inspected for correct performance in accordance with the Owner's Manual.

NOTICE: This document provides instructions for the replacement of the Water Bottle Holder on the Schwinn® AirDyne® Pro Bikes.

If you need assistance, please call Schwinn Customer Service (if purchased in US/Canada) or your local distributor (if purchased outside US/Canada). To find your local distributor, go to: www.nautilusinternational.com

⚠ This icon means a potentially hazardous situation which, if not avoided, could result in death or serious injury. Read and understand all Warnings on this machine.

Nautilus, Inc., www.NautilusInc.com, 5415 Centerpoint Parkway, Groveport, OH 43125 U.S.A. - Customer Service: North America (800) 605-3369, csnls@nautilus.com | outside U.S. www.nautilusinternational.com | © 2016 Nautilus, Inc. | Schwinn, the Schwinn Quality logo, and AirDyne are trademarks owned by or licensed to Nautilus, Inc., which are registered or otherwise protected by common law in the United States and other countries. Polar® is a registered trademarks of its owner. | ORIGINAL DOCUMENT - ENGLISH VERSION ONLY

Important Safety Instructions

⚠ This icon means a potentially hazardous situation which, if not avoided, could result in death or serious injury. Read and understand all Warnings on this machine.

Before servicing or using this equipment, obey the following warnings:

⚠ Read and understand the Service Manual before working on the machine. Failure to obey the instructions and safety warnings could cause injury to the service technician or bystanders.

- Keep bystanders and children away from the product being serviced at all times.
- Make sure that the repair is done in an appropriate work space away from foot traffic and exposure to bystanders.
- Disconnect all power to the machine before you service it.
- Some components of the equipment can be heavy or awkward. Enlist the service of a second person when you do maintenance steps involving these components. Do not try to do heavy or awkward steps on your own.
- If replacement parts are necessary, use only genuine replacement parts and hardware supplied by Nautilus. Failure to use genuine replacement parts can cause a risk to users, keep the machine from operating correctly and void the warranty.
- Be sure that all warning stickers and instructional placards applied to the product stay present and in good condition when doing maintenance or replacing components. If at any time the Warning labels become loose, unreadable or dislodged, replace the labels. If purchased in US/Canada, contact Customer Service for replacement labels. If purchased outside US/Canada, contact your local distributor for them..
- Do not try to change the design or functionality of the machine being serviced as this can adversely affect user safety.
- Do not put the machine back in service until all shrouds, instructions, warning labels and correct functionality have been verified and tested for correct performance.

• SAVE THESE INSTRUCTIONS.

Tools Required (not included)

#2 Phillips screwdriver



Note: Your machine may not match the image. For reference only.

1. Loosen and remove the indicated screws that attach the Water Bottle Holder to the Mast and Console. Set the screws safely aside.



2. Remove the Water Bottle Holder from the Mast and set it safely aside.

3. Installation is the reverse procedure.

4. Discard the old parts.

5. Inspect your machine to ensure that all hardware is tight and components are properly assembled.

⚠ Do not use until the machine has been fully assembled and inspected for correct performance in accordance with the Owner's Manual.



NOTICE: This document provides instructions for the replacement of the Console on the Schwinn® AD7 AirDyne® Bikes.

If you need assistance, please call Schwinn Customer Service (if purchased in US/Canada) or your local distributor (if purchased outside US/Canada). To find your local distributor, go to: www.nautilusinternational.com

⚠ This icon means a potentially hazardous situation which, if not avoided, could result in death or serious injury. Read and understand all Warnings on this machine.

Nautilus, Inc., www.NautilusInc.com, 5415 Centerpoint Parkway, Groveport, OH 43125 U.S.A. - Customer Service: North America (800) 605-3369, csnls@nautilus.com | outside U.S. www.nautilusinternational.com | © 2016 Nautilus, Inc. | Schwinn, the Schwinn Quality logo, and AirDyne are trademarks owned by or licensed to Nautilus, Inc., which are registered or otherwise protected by common law in the United States and other countries. Polar® is a registered trademarks of its owner. | ORIGINAL DOCUMENT - ENGLISH VERSION ONLY

Important Safety Instructions

⚠ This icon means a potentially hazardous situation which, if not avoided, could result in death or serious injury. Read and understand all Warnings on this machine.

Before servicing or using this equipment, obey the following warnings:

⚠ Read and understand the Service Manual before working on the machine. Failure to obey the instructions and safety warnings could cause injury to the service technician or bystanders.

- Keep bystanders and children away from the product being serviced at all times.
- Make sure that the repair is done in an appropriate work space away from foot traffic and exposure to bystanders.
- Disconnect all power to the machine before you service it.
- Some components of the equipment can be heavy or awkward. Enlist the service of a second person when you do maintenance steps involving these components. Do not try to do heavy or awkward steps on your own.
- If replacement parts are necessary, use only genuine replacement parts and hardware supplied by Nautilus. Failure to use genuine replacement parts can cause a risk to users, keep the machine from operating correctly and void the warranty.
- Be sure that all warning stickers and instructional placards applied to the product stay present and in good condition when doing maintenance or replacing components. If at any time the Warning labels become loose, unreadable or dislodged, replace the labels. If purchased in US/Canada, contact Customer Service for replacement labels. If purchased outside US/Canada, contact your local distributor for them..
- Do not try to change the design or functionality of the machine being serviced as this can adversely affect user safety.
- Do not put the machine back in service until all shrouds, instructions, warning labels and correct functionality have been verified and tested for correct performance.

• SAVE THESE INSTRUCTIONS.

Tools Required (not included)

#2 Phillips screwdriver



6mm hex key



3' (91 cm) length of string



Note: Your machine may not match the image. For reference only.

1. Unplug the AC Adapter from the wall outlet and machine.

2. Loosen and remove the hardware that attaches Console/Mast Assembly to the frame. Set the hardware safely aside for reassembly.

NOTICE: Hold the Console/Mast Assembly so that it does not fall. This step may require two people.



3. Carefully lift the Console/Mast Assembly and disconnect the cables. Tie the piece of string to the ends of the cables at the base of the Mast.

NOTICE: Do not let the cables fall down inside the frame. This step may require two people.



- Loosen and remove the screws that attach the Console to the Mast and Water Bottle Holder. Set the screws safely aside.

NOTICE: Hold the Console so that it does not fall. This step may require two people.



- Remove the Console and pull the cables out of the Mast tube so that the string extends through the tube. Untie the string from the cables.

- Tie the string end at the top of the Mast to the ends of the cables on the replacement Console. Carefully pull the cables through the Mast tube.

NOTICE: Do not crimp any cables.

- Install the replacement Console to the Mast. Untie the string from the cables.

NOTICE: Do not crimp any cables. Hold the Console so that it does not fall. This step may require two people.

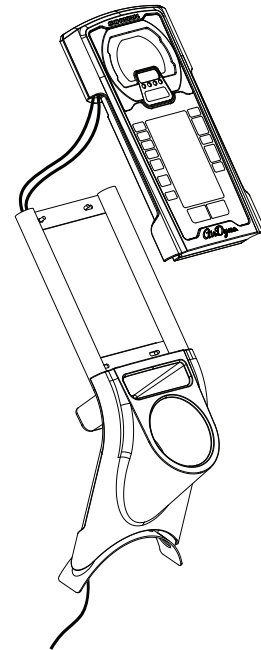
- Connect the cables from the Mast and frame, and install the Console/Mast assembly to the frame.

NOTICE: Do not crimp any cables. This step may require two people.

- Discard the old parts.

- Inspect your machine to ensure that all hardware is tight and components are properly assembled.

⚠ Do not use until the machine has been fully assembled and inspected for correct performance in accordance with the Owner's Manual.



NOTICE: This document provides instructions for the replacement of the Console Mast on the Schwinn® AD7 AirDyne® Bikes.

If you need assistance, please call Schwinn Customer Service (if purchased in US/Canada) or your local distributor (if purchased outside US/Canada). To find your local distributor, go to: www.nautilusinternational.com

⚠ This icon means a potentially hazardous situation which, if not avoided, could result in death or serious injury. Read and understand all Warnings on this machine.

Nautilus, Inc., www.NautilusInc.com, 5415 Centerpoint Parkway, Groveport, OH 43125 U.S.A. - Customer Service: North America (800) 605-3369, csnls@nautilus.com | outside U.S. www.nautilusinternational.com | © 2016 Nautilus, Inc. | Schwinn, the Schwinn Quality logo, and AirDyne are trademarks owned by or licensed to Nautilus, Inc., which are registered or otherwise protected by common law in the United States and other countries. Polar® is a registered trademarks of its owner. | ORIGINAL DOCUMENT - ENGLISH VERSION ONLY

Important Safety Instructions

⚠ This icon means a potentially hazardous situation which, if not avoided, could result in death or serious injury. Read and understand all Warnings on this machine.

Before servicing or using this equipment, obey the following warnings:

⚠ Read and understand the Service Manual before working on the machine. Failure to obey the instructions and safety warnings could cause injury to the service technician or bystanders.

- Keep bystanders and children away from the product being serviced at all times.
- Make sure that the repair is done in an appropriate work space away from foot traffic and exposure to bystanders.
- Disconnect all power to the machine before you service it.
- Some components of the equipment can be heavy or awkward. Enlist the service of a second person when you do maintenance steps involving these components. Do not try to do heavy or awkward steps on your own.
- If replacement parts are necessary, use only genuine replacement parts and hardware supplied by Nautilus. Failure to use genuine replacement parts can cause a risk to users, keep the machine from operating correctly and void the warranty.
- Be sure that all warning stickers and instructional placards applied to the product stay present and in good condition when doing maintenance or replacing components. If at any time the Warning labels become loose, unreadable or dislodged, replace the labels. If purchased in US/Canada, contact Customer Service for replacement labels. If purchased outside US/Canada, contact your local distributor for them..
- Do not try to change the design or functionality of the machine being serviced as this can adversely affect user safety.
- Do not put the machine back in service until all shrouds, instructions, warning labels and correct functionality have been verified and tested for correct performance.

• SAVE THESE INSTRUCTIONS.

Tools Required (not included)

#2 Phillips screwdriver



6mm hex key



3' (91 cm) length of string



Note: Your machine may not match the image. For reference only.

1. Unplug the AC Adapter from the wall outlet and machine.

2. Loosen and remove the hardware that attaches Console/Mast Assembly to the frame. Set the hardware safely aside for reassembly.

NOTICE: Hold the Console/Mast Assembly so that it does not fall. This step may require two people.



3. Carefully lift the Console/Mast Assembly and disconnect the cables.

NOTICE: Do not let the cables fall down inside the frame. This step may require two people.



- Loosen and remove the screws that attach the Console to the Mast and Water Bottle Holder. Set the screws safely aside.

NOTICE: Hold the Console so that it does not fall. This step may require two people.

- Carefully remove the Console and pull the cables out of the Mast tube. Set it safely aside.

NOTICE: Do not crimp any cables.

- Remove the Water Bottle Holder from the Mast. Set it safely aside.



- Put the Water Bottle Holder in position on the replacement Mast.

- Tie one end of the piece of string to the Console cable connectors. Tie the other end to one of the screws from step 1. Use the weight of the screw to route the cables through the replacement Mast tube.

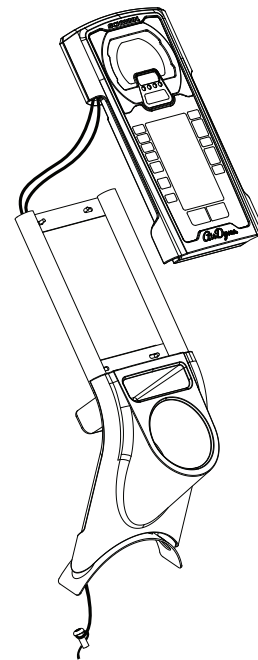
NOTICE: Do not crimp any cables. Hold the Console so that it does not fall. This step may require two people.

- Install the replacement Console to the Mast. Untie the string from the cables and screw. Connect the cables from the Mast and frame, and install the Console/Mast assembly to the frame.

NOTICE: Do not crimp any cables. Hold the Console so that it does not fall. This step may require two people.

- Discard the old parts.

- Inspect your machine to ensure that all hardware is tight and components are properly assembled.



! Do not use until the machine has been fully assembled and inspected for correct performance in accordance with the Owner's Manual.

NOTICE: This document provides instructions for the replacement of the Transport Wheels on the Schwinn® AD7 AirDyne® Bike.

If you need assistance, please call Schwinn Customer Service (if purchased in US/Canada) or your local distributor (if purchased outside US/Canada). To find your local distributor, go to: www.nautilusinternational.com

⚠ This icon means a potentially hazardous situation which, if not avoided, could result in death or serious injury. Read and understand all Warnings on this machine.

Nautilus, Inc., www.NautilusInc.com, 5415 Centerpoint Parkway, Groveport, OH 43125 U.S.A. - Customer Service: North America (800) 605-3369, csnls@nautilus.com | outside U.S. www.nautilusinternational.com | © 2016 Nautilus, Inc. | Schwinn, the Schwinn Quality logo, and AirDyne are trademarks owned by or licensed to Nautilus, Inc., which are registered or otherwise protected by common law in the United States and other countries. Polar® is a registered trademarks of its owner. | ORIGINAL DOCUMENT - ENGLISH VERSION ONLY

Important Safety Instructions

⚠ This icon means a potentially hazardous situation which, if not avoided, could result in death or serious injury. Read and understand all Warnings on this machine.

Before servicing or using this equipment, obey the following warnings:

⚠ Read and understand the Service Manual before working on the machine. Failure to obey the instructions and safety warnings could cause injury to the service technician or bystanders.

- Keep bystanders and children away from the product being serviced at all times.
- Make sure that the repair is done in an appropriate work space away from foot traffic and exposure to bystanders.
- Disconnect all power to the machine before you service it.
- Some components of the equipment can be heavy or awkward. Enlist the service of a second person when you do maintenance steps involving these components. Do not try to do heavy or awkward steps on your own.
- If replacement parts are necessary, use only genuine replacement parts and hardware supplied by Nautilus. Failure to use genuine replacement parts can cause a risk to users, keep the machine from operating correctly and void the warranty.
- Be sure that all warning stickers and instructional placards applied to the product stay present and in good condition when doing maintenance or replacing components. If at any time the Warning labels become loose, unreadable or dislodged, replace the labels. If purchased in US/Canada, contact Customer Service for replacement labels. If purchased outside US/Canada, contact your local distributor for them..
- Do not try to change the design or functionality of the machine being serviced as this can adversely affect user safety.
- Do not put the machine back in service until all shrouds, instructions, warning labels and correct functionality have been verified and tested for correct performance.
- **SAVE THESE INSTRUCTIONS.**

Tools Required (not included)

13mm open end wrench (2)



Note: Your machine may not match the image. For reference only.

1. Using the 13mm wrenches, loosen and remove the hex head bolt (A), acorn nut (B) and lock washer (C) from the old Transport Wheel assembly. Remove the old Transport Wheel (D) from the bracket (E), and discard.

2. Install the replacement Transport Wheel assembly.

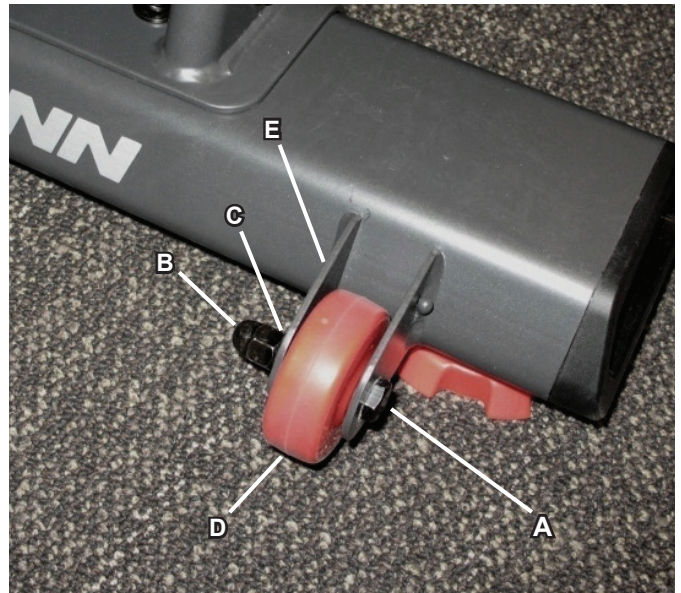
NOTICE: Be sure that the Transport Wheel can turn freely.

3. Final Inspection

Inspect your machine to ensure that all hardware is tight and components are properly assembled.



Do not use until the machine has been fully assembled and inspected for correct performance in accordance with the Owner's Manual.



NOTICE: This document provides instructions for the replacement of the Levelers on the Schwinn® AD7 AirDyne® Bike.

If you need assistance, please call Schwinn Customer Service (if purchased in US/Canada) or your local distributor (if purchased outside US/Canada). To find your local distributor, go to: www.nautilusinternational.com

⚠ This icon means a potentially hazardous situation which, if not avoided, could result in death or serious injury. Read and understand all Warnings on this machine.

Nautilus, Inc., www.NautilusInc.com, 5415 Centerpoint Parkway, Groveport, OH 43125 U.S.A. - Customer Service: North America (800) 605-3369, csnls@nautilus.com | outside U.S. www.nautilusinternational.com | © 2016 Nautilus, Inc. | Schwinn, the Schwinn Quality logo, and AirDyne are trademarks owned by or licensed to Nautilus, Inc., which are registered or otherwise protected by common law in the United States and other countries. Polar® is a registered trademarks of its owner. | ORIGINAL DOCUMENT - ENGLISH VERSION ONLY

Important Safety Instructions

⚠ This icon means a potentially hazardous situation which, if not avoided, could result in death or serious injury. Read and understand all Warnings on this machine.

Before servicing or using this equipment, obey the following warnings:

⚠ Read and understand the Service Manual before working on the machine. Failure to obey the instructions and safety warnings could cause injury to the service technician or bystanders.

- Keep bystanders and children away from the product being serviced at all times.
- Make sure that the repair is done in an appropriate work space away from foot traffic and exposure to bystanders.
- Disconnect all power to the machine before you service it.
- Some components of the equipment can be heavy or awkward. Enlist the service of a second person when you do maintenance steps involving these components. Do not try to do heavy or awkward steps on your own.
- If replacement parts are necessary, use only genuine replacement parts and hardware supplied by Nautilus. Failure to use genuine replacement parts can cause a risk to users, keep the machine from operating correctly and void the warranty.
- Be sure that all warning stickers and instructional placards applied to the product stay present and in good condition when doing maintenance or replacing components. If at any time the Warning labels become loose, unreadable or dislodged, replace the labels. If purchased in US/Canada, contact Customer Service for replacement labels. If purchased outside US/Canada, contact your local distributor for them..
- Do not try to change the design or functionality of the machine being serviced as this can adversely affect user safety.
- Do not put the machine back in service until all shrouds, instructions, warning labels and correct functionality have been verified and tested for correct performance.
- **SAVE THESE INSTRUCTIONS.**

Tools Required (not included)

13mm open end wrench



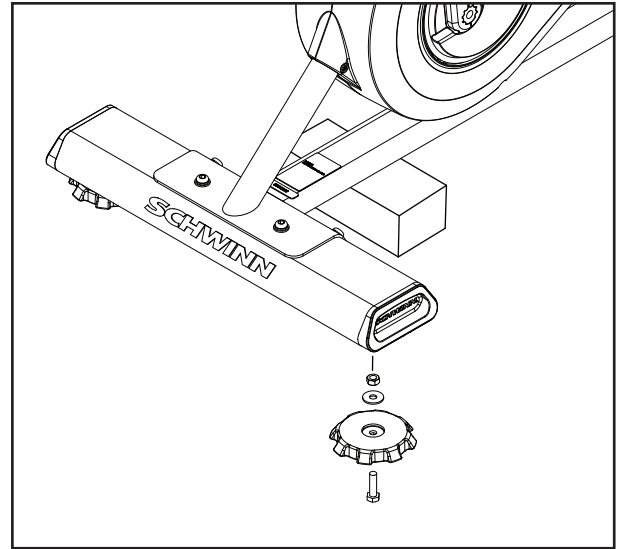
Static solid object (like a book or box)



Note: Your machine may not match the image. For reference only.

1. Place a static object (like a book or box) under the main frame near the Stabilizer. The static object should not be compressible.

2. Using the 13mm wrench, loosen and remove the hex head bolt from the old Leveler. Remove the Leveler foot and hardware from the Stabilizer, and discard.

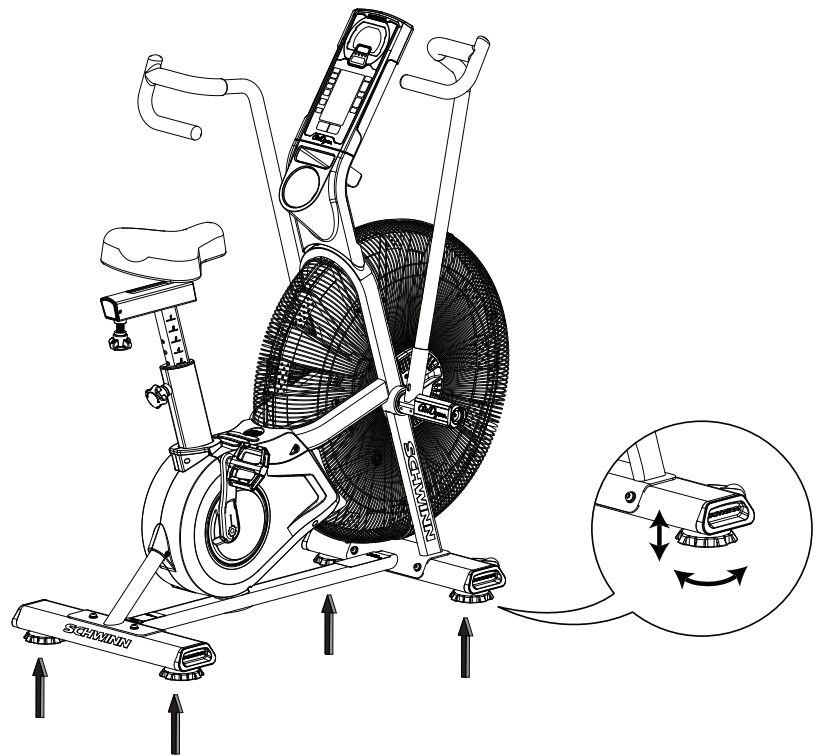


3. Install the replacement Leveler assembly. Hand tighten the hardware.

Turn the stabilizer feet to adjust until they are evenly balanced and in contact with the floor.

! Do not adjust the levelers to such a height that they detach or unscrew from the machine. Injury to you or damage to the machine can occur.

Make sure the machine is level and stable before you exercise.




4. Final Inspection

Inspect your machine to ensure that all hardware is tight and components are properly assembled.

! Do not use until the machine has been fully assembled and inspected for correct performance in accordance with the Owner's Manual.


NOTICE: This document provides instructions for the replacement of the Seat Post on the Schwinn® AD7 AirDyne® Bike.

If you need assistance, please call Schwinn Customer Service (if purchased in US/Canada) or your local distributor (if purchased outside US/Canada). To find your local distributor, go to: www.nautilusinternational.com


 **This icon means a potentially hazardous situation which, if not avoided, could result in death or serious injury. Read and understand all Warnings on this machine.**

Nautilus, Inc., www.NautilusInc.com, 5415 Centerpoint Parkway, Groveport, OH 43125 U.S.A. - Customer Service: North America (800) 605-3369, csnls@nautilus.com | outside U.S. www.nautilusinternational.com | © 2016 Nautilus, Inc. | Schwinn, the Schwinn Quality logo, and AirDyne are trademarks owned by or licensed to Nautilus, Inc., which are registered or otherwise protected by common law in the United States and other countries. Polar® is a registered trademarks of its owner. | ORIGINAL DOCUMENT - ENGLISH VERSION ONLY

Important Safety Instructions

 **This icon means a potentially hazardous situation which, if not avoided, could result in death or serious injury. Read and understand all Warnings on this machine.**

Before servicing or using this equipment, obey the following warnings:

 **Read and understand the Service Manual before working on the machine. Failure to obey the instructions and safety warnings could cause injury to the service technician or bystanders.**

- Keep bystanders and children away from the product being serviced at all times.
- Make sure that the repair is done in an appropriate work space away from foot traffic and exposure to bystanders.
- Disconnect all power to the machine before you service it.
- Some components of the equipment can be heavy or awkward. Enlist the service of a second person when you do maintenance steps involving these components. Do not try to do heavy or awkward steps on your own.
- If replacement parts are necessary, use only genuine replacement parts and hardware supplied by Nautilus. Failure to use genuine replacement parts can cause a risk to users, keep the machine from operating correctly and void the warranty.
- Be sure that all warning stickers and instructional placards applied to the product stay present and in good condition when doing maintenance or replacing components. If at any time the Warning labels become loose, unreadable or dislodged, replace the labels. If purchased in US/Canada, contact Customer Service for replacement labels. If purchased outside US/Canada, contact your local distributor for them..
- Do not try to change the design or functionality of the machine being serviced as this can adversely affect user safety.
- Do not put the machine back in service until all shrouds, instructions, warning labels and correct functionality have been verified and tested for correct performance.
- **SAVE THESE INSTRUCTIONS.**

Tools Required (not included)

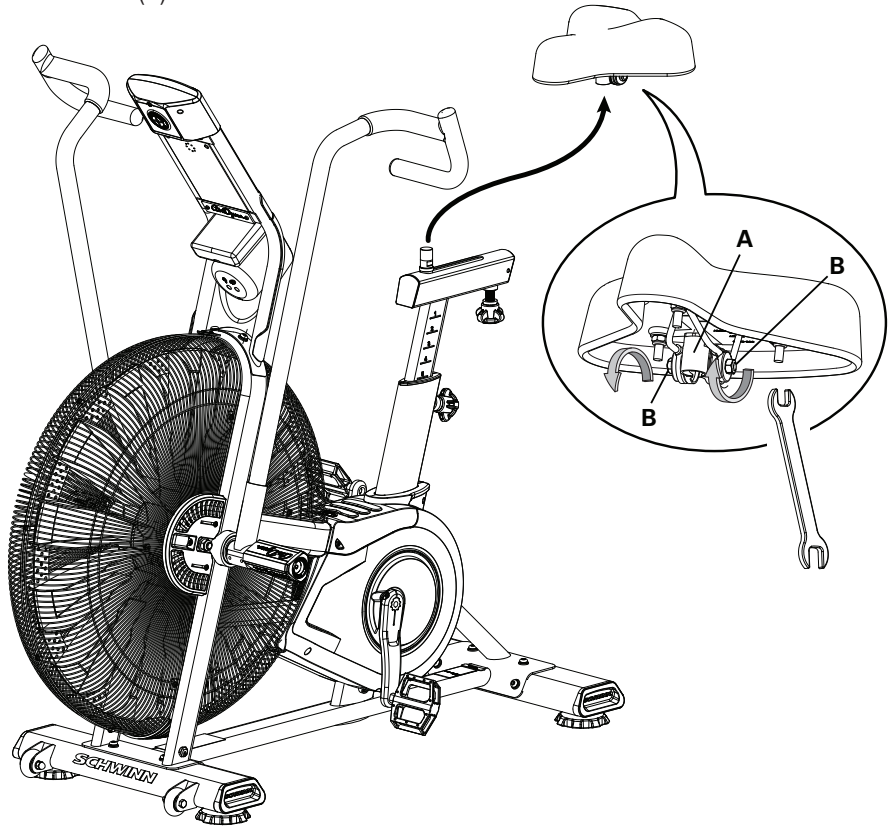
13mm open end wrench



Note: Your machine may not match the image. For reference only.

1. Using the 13mm wrench, loosen the Nuts (B) on the Seat bracket (A).

2. Remove the Seat from the Seat Post and set it safely aside for reassembly.



3. Loosen and pull the Seat Post Adjustment Knob (C), and remove the Seat Post. Set it safely aside.

NOTICE: This step may require two people.

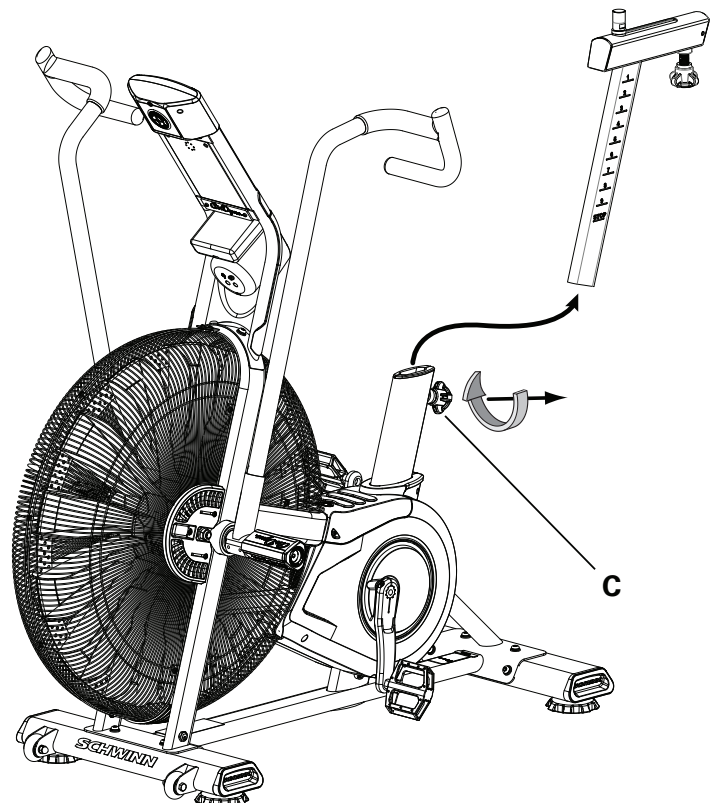
4. Install the replacement Seat Post on the frame. Release the Seat Post Adjustment Knob (C) to engage the locking pin. Be sure that the pin is fully engaged and fully tighten the adjustment knob.

5. Attach the Seat to the Seat Post.

NOTICE: Be sure the Seat is straight and level. Tighten both nuts (B) on the Seat bracket (A) to hold the Seat in position.

6. Final Inspection

Inspect your machine to ensure that all hardware is tight and components are properly assembled.



Do not use until the machine has been fully assembled and inspected for correct performance in accordance with the Owner's Manual.

NOTICE: This document provides instructions for the replacement of the Handlebar Arms and Foot Pegs on the Schwinn® AD7 AirDyne® Bike.

If you need assistance, please call Schwinn Customer Service (if purchased in US/Canada) or your local distributor (if purchased outside US/Canada). To find your local distributor, go to: www.nautilusinternational.com

! This icon means a potentially hazardous situation which, if not avoided, could result in death or serious injury. Read and understand all Warnings on this machine.

Nautilus, Inc., www.NautilusInc.com, 5415 Centerpoint Parkway, Groveport, OH 43125 U.S.A. - Customer Service: North America (800) 605-3369, csnls@nautilus.com | outside U.S. www.nautilusinternational.com | © 2016 Nautilus, Inc. | Schwinn, the Schwinn Quality logo, and AirDyne are trademarks owned by or licensed to Nautilus, Inc., which are registered or otherwise protected by common law in the United States and other countries. Polar® is a registered trademarks of its owner. | ORIGINAL DOCUMENT - ENGLISH VERSION ONLY

Important Safety Instructions

! This icon means a potentially hazardous situation which, if not avoided, could result in death or serious injury. Read and understand all Warnings on this machine.

Before servicing or using this equipment, obey the following warnings:

! Read and understand the Service Manual before working on the machine. Failure to obey the instructions and safety warnings could cause injury to the service technician or bystanders.

- Keep bystanders and children away from the product being serviced at all times.
 - Make sure that the repair is done in an appropriate work space away from foot traffic and exposure to bystanders.
 - Disconnect all power to the machine before you service it.
 - Some components of the equipment can be heavy or awkward. Enlist the service of a second person when you do maintenance steps involving these components. Do not try to do heavy or awkward steps on your own.
 - If replacement parts are necessary, use only genuine replacement parts and hardware supplied by Nautilus. Failure to use genuine replacement parts can cause a risk to users, keep the machine from operating correctly and void the warranty.
 - Be sure that all warning stickers and instructional placards applied to the product stay present and in good condition when doing maintenance or replacing components. If at any time the Warning labels become loose, unreadable or dislodged, replace the labels. If purchased in US/Canada, contact Customer Service for replacement labels. If purchased outside US/Canada, contact your local distributor for them..
 - Do not try to change the design or functionality of the machine being serviced as this can adversely affect user safety.
 - Do not put the machine back in service until all shrouds, instructions, warning labels and correct functionality have been verified and tested for correct performance.
- **SAVE THESE INSTRUCTIONS.**

Tools Required (not included)

6mm hex key



6mm calibrated torque wrench (40 N·m)



Note: Your machine may not match the image. For reference only.

1. Loosen the hardware that attaches Foot Peg to the frame assembly. Remove the hardware and Foot Peg, and set them safely aside.

If you are only replacing the Foot Peg, go to step 4.

2. Loosen and remove the screws (A) that attach the Handlebar Arm to the Arm Pivot assembly. Set them safely aside.

! Be aware that the Pedals, Handlebars and Resistance Fan are connected and when any of these parts move the others do as well.

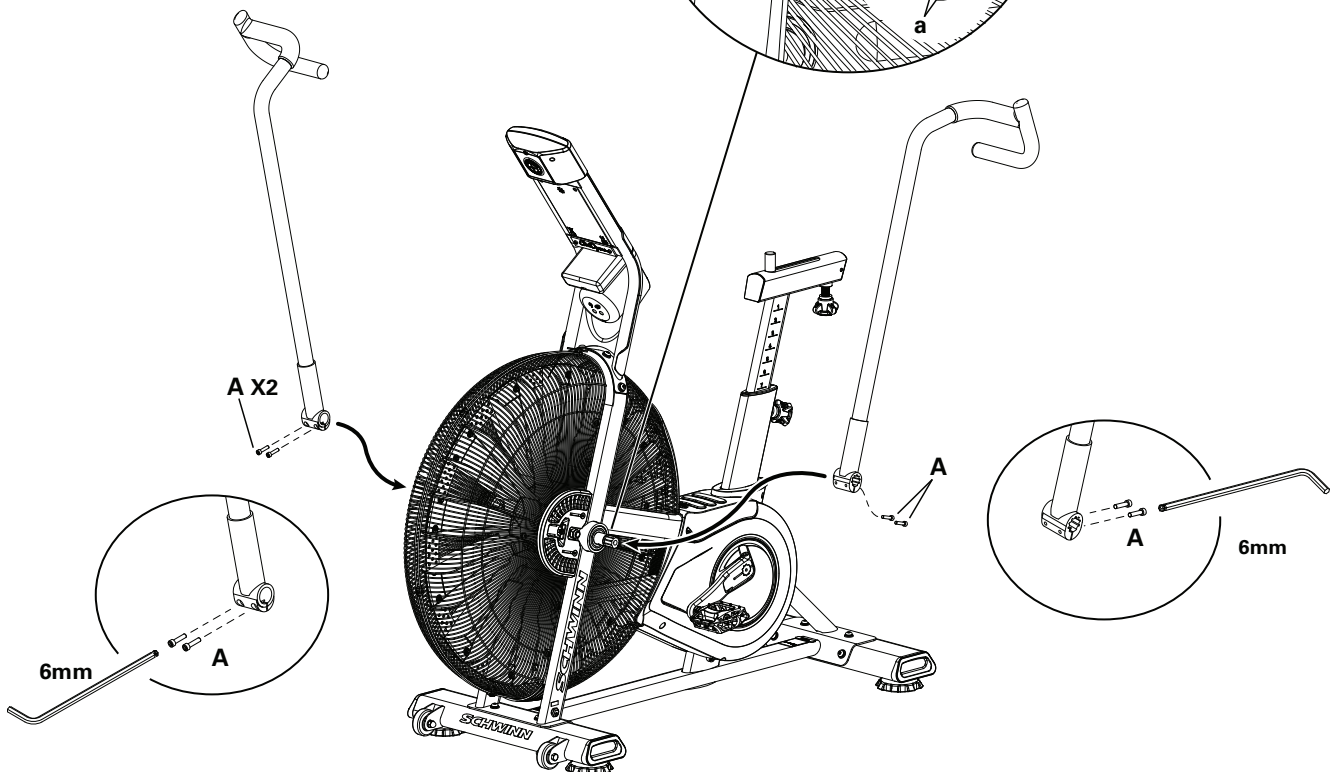
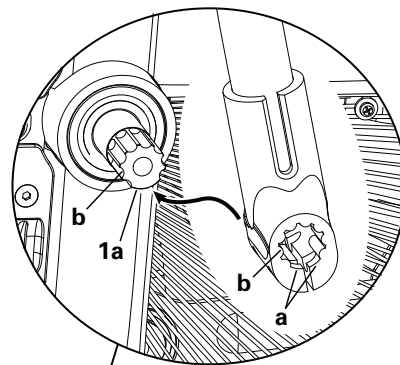
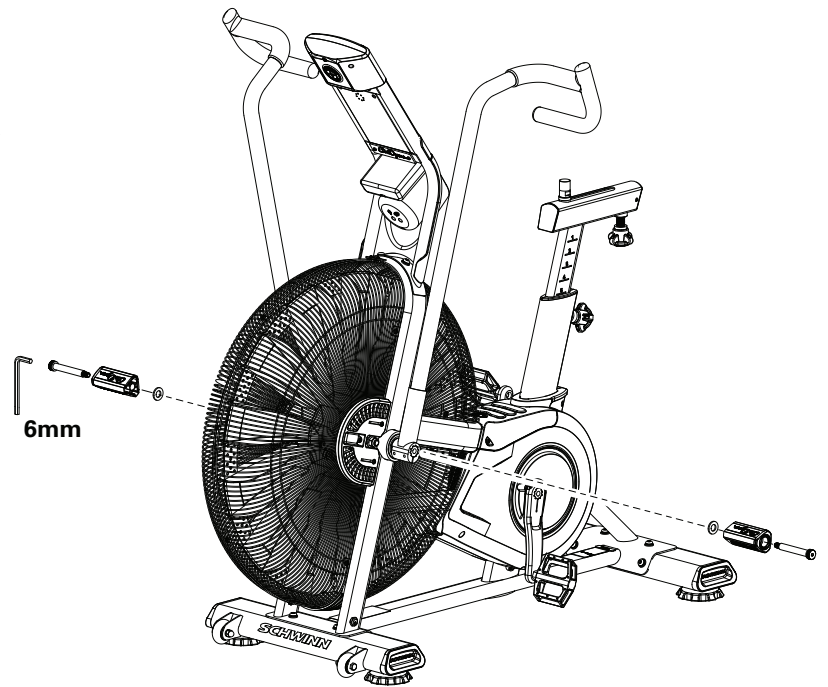
3. Remove the Handlebar Arm and set it safely aside.

! Do not use a hammer to remove or install the handlebars.


4. Installation is the reverse procedure.

NOTICE: Remove tag from the Handlebar Arm. Align the open curve (a) on the handlebar with the smooth curve (1a) on the pivot shaft and make sure the indents (b) are exactly aligned. Carefully push the handlebar onto the shaft. Do not force or hammer into position. Gently rock the handlebar forward and backward to make sure it is fully seated on the shaft.

! Fully tighten the Cap Screws (A) on the Handlebar Arm or torque to 40 N·m.




NOTICE: Push the Shoulder Screw completely through the Foot Peg, and press the Washer tightly onto the end of the Foot Peg. Be sure the Washer does not touch the bolt threads. Do not let the Washer fall off the Foot Peg during installation.

 **Fully tighten hardware. Make sure the Handlebar Arms are secure before you exercise.**

5. Set the old parts safely aside.

6. Final Inspection

Inspect your machine to ensure that all hardware is tight and components are properly assembled.

 **Do not use until the machine has been fully assembled and inspected for correct performance in accordance with the Owner's Manual.**

NOTICE: This document provides instructions for the replacement of the Crank Arms on the Schwinn® AD7 AirDyne® Bike.

If you need assistance, please call Schwinn Customer Service (if purchased in US/Canada) or your local distributor (if purchased outside US/Canada). To find your local distributor, go to: www.nautilusinternational.com

⚠ This icon means a potentially hazardous situation which, if not avoided, could result in death or serious injury. Read and understand all Warnings on this machine.

Nautilus, Inc., www.NautilusInc.com, 5415 Centerpoint Parkway, Groveport, OH 43125 U.S.A. - Customer Service: North America (800) 605-3369, csnls@nautilus.com | outside U.S. www.nautilusinternational.com | © 2016 Nautilus, Inc. | Schwinn, the Schwinn Quality logo, and AirDyne are trademarks owned by or licensed to Nautilus, Inc., which are registered or otherwise protected by common law in the United States and other countries. Polar® is a registered trademarks of its owner. | ORIGINAL DOCUMENT - ENGLISH VERSION ONLY

Important Safety Instructions

⚠ This icon means a potentially hazardous situation which, if not avoided, could result in death or serious injury. Read and understand all Warnings on this machine.

Before servicing or using this equipment, obey the following warnings:

⚠ Read and understand the Service Manual before working on the machine. Failure to obey the instructions and safety warnings could cause injury to the service technician or bystanders.

- Keep bystanders and children away from the product being serviced at all times.
- Make sure that the repair is done in an appropriate work space away from foot traffic and exposure to bystanders.
- Disconnect all power to the machine before you service it.
- Some components of the equipment can be heavy or awkward. Enlist the service of a second person when you do maintenance steps involving these components. Do not try to do heavy or awkward steps on your own.
- If replacement parts are necessary, use only genuine replacement parts and hardware supplied by Nautilus. Failure to use genuine replacement parts can cause a risk to users, keep the machine from operating correctly and void the warranty.
- Be sure that all warning stickers and instructional placards applied to the product stay present and in good condition when doing maintenance or replacing components. If at any time the Warning labels become loose, unreadable or dislodged, replace the labels. If purchased in US/Canada, contact Customer Service for replacement labels. If purchased outside US/Canada, contact your local distributor for them..
- Do not try to change the design or functionality of the machine being serviced as this can adversely affect user safety.
- Do not put the machine back in service until all shrouds, instructions, warning labels and correct functionality have been verified and tested for correct performance.

• SAVE THESE INSTRUCTIONS.

Tools Required (not included)

Pedal wrench
or 15 mm open end wrench



8mm calibrated torque wrench (60 N·m)

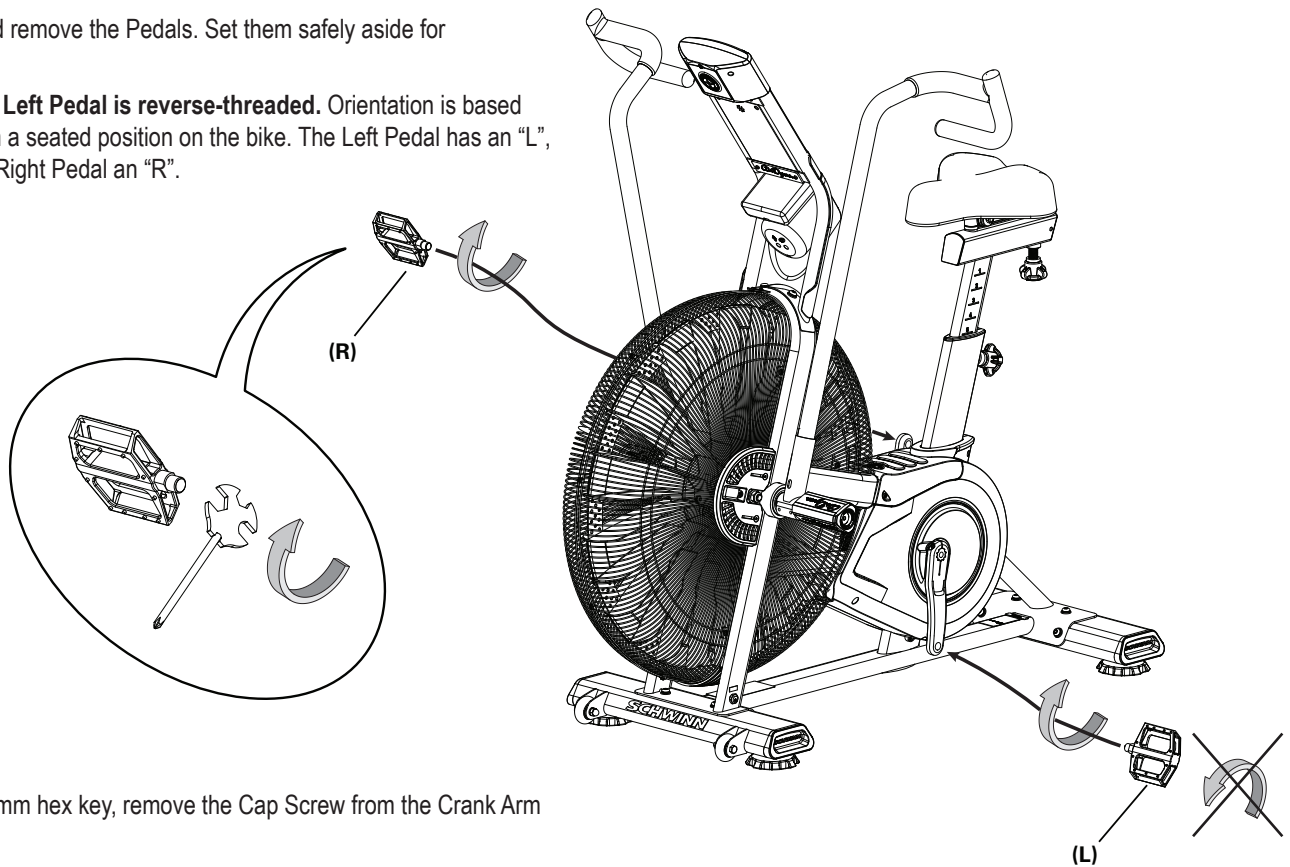
8mm hex key



Note: Your machine may not match the image. For reference only.

1. Unplug the AC Adapter from the wall outlet and machine.
2. Loosen and remove the Pedals. Set them safely aside for reassembly.

Note: The Left Pedal is reverse-threaded. Orientation is based from a seated position on the bike. The Left Pedal has an "L", the Right Pedal an "R".



3. Using an 8mm hex key, remove the Cap Screw from the Crank Arm assembly (B).

NOTICE: Hold the Crank Arm assembly so that it does not fall.

4. Remove the Crank Arm assembly (B) from the Crank Assembly shaft (C). Set it safely aside.

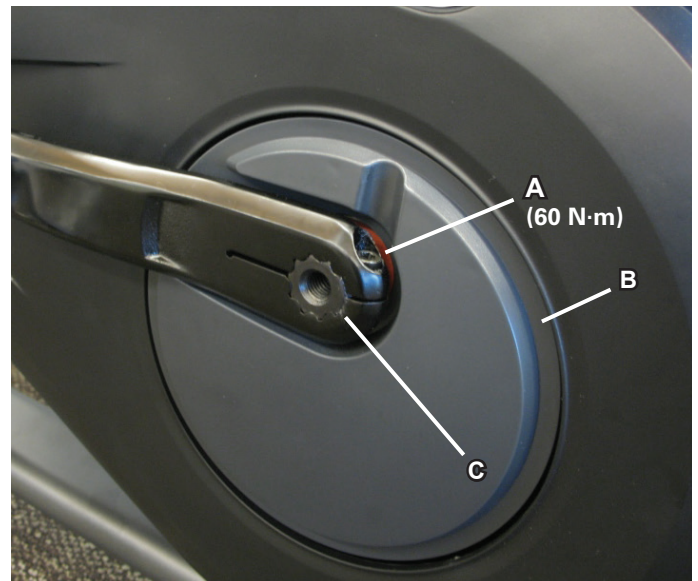
5. Installation is the reverse procedure.

Using an 8mm hex key, completely tighten the new Cap Screws (A) on the replacement Crank Arms, or torque to 60 N·m.

! The Left Crank Arm has an "L", the Right Crank Arm an "R". Orientation is based from a seated position on the bike. Make sure the Crank Arms are secure before you exercise.

To reinstall the Pedals, carefully align the threads and hand tighten to prevent cross-threading. Then tighten fully with pedal wrench.

Note: The Left Pedal is reverse-threaded. Be sure to attach Pedal on the correct side of the Bike. Orientation is based from a seated position on the bike. The Left Pedal has an "L", the Right Pedal an "R".



6. Final Inspection

Inspect your machine to ensure that all hardware is tight and components are properly assembled.

! Do not use until the machine has been fully assembled and inspected for correct performance in accordance with the Owner's Manual.

NOTICE: This document provides instructions for the replacement of the side Shrouds and Top Shroud/Footpad on the Schwinn® AD7 AirDyne® Bike.

If you need assistance, please call Schwinn Customer Service (if purchased in US/Canada) or your local distributor (if purchased outside US/Canada). To find your local distributor, go to: www.nautilusinternational.com

⚠ This icon means a potentially hazardous situation which, if not avoided, could result in death or serious injury. Read and understand all Warnings on this machine.

Nautilus, Inc., www.NautilusInc.com, 5415 Centerpoint Parkway, Groveport, OH 43125 U.S.A. - Customer Service: North America (800) 605-3369, csnls@nautilus.com | outside U.S. www.nautilusinternational.com | © 2016 Nautilus, Inc. | Schwinn, the Schwinn Quality logo, and AirDyne are trademarks owned by or licensed to Nautilus, Inc., which are registered or otherwise protected by common law in the United States and other countries. Polar® is a registered trademarks of its owner. | ORIGINAL DOCUMENT - ENGLISH VERSION ONLY

Important Safety Instructions

⚠ This icon means a potentially hazardous situation which, if not avoided, could result in death or serious injury. Read and understand all Warnings on this machine.

Before servicing or using this equipment, obey the following warnings:

⚠ Read and understand the Service Manual before working on the machine. Failure to obey the instructions and safety warnings could cause injury to the service technician or bystanders.

- Keep bystanders and children away from the product being serviced at all times.
- Make sure that the repair is done in an appropriate work space away from foot traffic and exposure to bystanders.
- Disconnect all power to the machine before you service it.
- Some components of the equipment can be heavy or awkward. Enlist the service of a second person when you do maintenance steps involving these components. Do not try to do heavy or awkward steps on your own.
- If replacement parts are necessary, use only genuine replacement parts and hardware supplied by Nautilus. Failure to use genuine replacement parts can cause a risk to users, keep the machine from operating correctly and void the warranty.
- Be sure that all warning stickers and instructional placards applied to the product stay present and in good condition when doing maintenance or replacing components. If at any time the Warning labels become loose, unreadable or dislodged, replace the labels. If purchased in US/Canada, contact Customer Service for replacement labels. If purchased outside US/Canada, contact your local distributor for them..
- Do not try to change the design or functionality of the machine being serviced as this can adversely affect user safety.
- Do not put the machine back in service until all shrouds, instructions, warning labels and correct functionality have been verified and tested for correct performance.

• SAVE THESE INSTRUCTIONS.

Tools Required (not included)

#2 Phillips screwdriver



Note: Your machine may not match the image. For reference only.

1. Unplug the AC Adapter from the wall outlet and machine.

2. Slide the Grommet up the Seat Post to expose the screws that attach the Top Shroud to the frame.

Note: If necessary, remove the Seat Post and the Seat Adjustment Knob (A). Set them safely aside for reassembly. Remove the Grommet and set it safely aside for reassembly.

3. Using a #2 Phillips Screwdriver, loosen and remove the 4 screws (indicated) from the Top Shroud, and set them safely aside for reassembly.

4. Remove the Top Shroud and set it safely aside.

6. Turn the Right Crank Arm to point toward the back of the machine. Using a #2 Phillips Screwdriver, remove the 5 screws (indicated) that secure the Right Shroud. Remove the bottom screws first and then the top screws.

6. Slowly remove the Right Shroud.

7. Turn the Left Crank Arm to point toward the back of the machine. Using a #2 Phillips Screwdriver, remove the 3 screws that secure the Left Shroud. Remove the bottom screws first and then the top screws. Slowly remove the Left Shroud.

8. Installation is the reverse procedure. Put the Right Shroud in position first to align the screws for the Left Shroud. Install the top screws first.

NOTICE: Be sure the tabs in the Top Shroud snap into the Main Assembly.

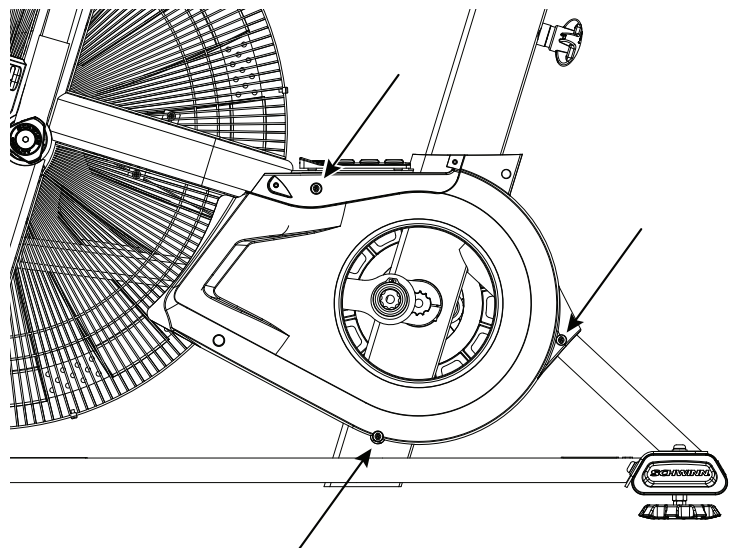
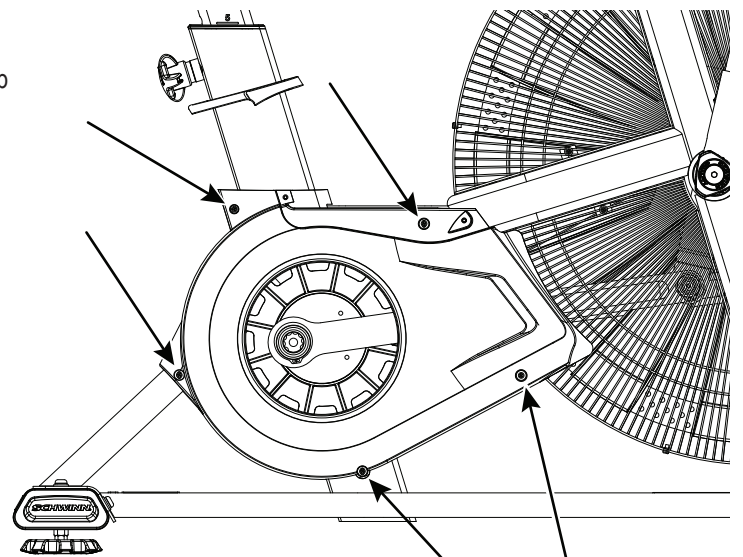
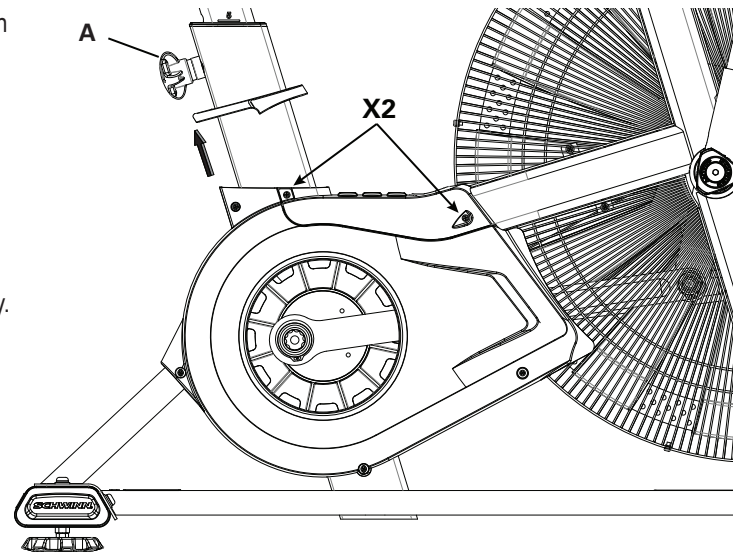
9. Final Inspection

Inspect your machine to ensure that all hardware is tight and components are properly assembled.




Do not use until the machine has been fully assembled and inspected for correct performance in accordance with the Owner's Manual.

Crank arms not shown




NOTICE: This document provides instructions for the replacement of the Fan Cage on the Schwinn® AD7 AirDyne® Bike.

If you need assistance, please call Schwinn Customer Service (if purchased in US/Canada) or your local distributor (if purchased outside US/Canada). To find your local distributor, go to: www.nautilusinternational.com


 **This icon means a potentially hazardous situation which, if not avoided, could result in death or serious injury. Read and understand all Warnings on this machine.**

Nautilus, Inc., www.NautilusInc.com, 5415 Centerpoint Parkway, Groveport, OH 43125 U.S.A. - Customer Service: North America (800) 605-3369, csnls@nautilus.com | outside U.S. www.nautilusinternational.com | © 2016 Nautilus, Inc. | Schwinn, the Schwinn Quality logo, and AirDyne are trademarks owned by or licensed to Nautilus, Inc., which are registered or otherwise protected by common law in the United States and other countries. Polar® is a registered trademarks of its owner. | ORIGINAL DOCUMENT - ENGLISH VERSION ONLY

Important Safety Instructions

 **This icon means a potentially hazardous situation which, if not avoided, could result in death or serious injury. Read and understand all Warnings on this machine.**

Before servicing or using this equipment, obey the following warnings:

 **Read and understand the Service Manual before working on the machine. Failure to obey the instructions and safety warnings could cause injury to the service technician or bystanders.**

- Keep bystanders and children away from the product being serviced at all times.
- Make sure that the repair is done in an appropriate work space away from foot traffic and exposure to bystanders.
- Disconnect all power to the machine before you service it.
- Some components of the equipment can be heavy or awkward. Enlist the service of a second person when you do maintenance steps involving these components. Do not try to do heavy or awkward steps on your own.
- If replacement parts are necessary, use only genuine replacement parts and hardware supplied by Nautilus. Failure to use genuine replacement parts can cause a risk to users, keep the machine from operating correctly and void the warranty.
- Be sure that all warning stickers and instructional placards applied to the product stay present and in good condition when doing maintenance or replacing components. If at any time the Warning labels become loose, unreadable or dislodged, replace the labels. If purchased in US/Canada, contact Customer Service for replacement labels. If purchased outside US/Canada, contact your local distributor for them..
- Do not try to change the design or functionality of the machine being serviced as this can adversely affect user safety.
- Do not put the machine back in service until all shrouds, instructions, warning labels and correct functionality have been verified and tested for correct performance.

• SAVE THESE INSTRUCTIONS.

Tools Required (not included)

#2 Phillips screwdriver



NOTICE: It is necessary to remove the Shrouds for this procedure. Refer to the “Replace the Shrouds” procedure.

Note: Your machine may not match the image. For reference only.

1. Unplug the AC Adapter from the wall outlet and machine.

To remove the lower back Fan Cage sections, it is necessary to remove the Shrouds. Refer to the “Replace the Shrouds” procedure.

To remove the upper back Fan Cage sections, if an Air Diverter is installed, it is necessary to remove the Air Diverter first.

2. Using a #2 Phillips Screwdriver, loosen and remove the screws that attach each section of the Fan Cage to the frame, and carefully remove the section. Remove the bottom screws first and then the top screws. Set them safely aside for reassembly.

NOTICE: Hold each section of the Fan Cage as you loosen the screws so that it does not fall. If necessary, loosen and remove the screws and clips that attach the sections of the Fan Cage to each other.

3. Installation is the reverse procedure.

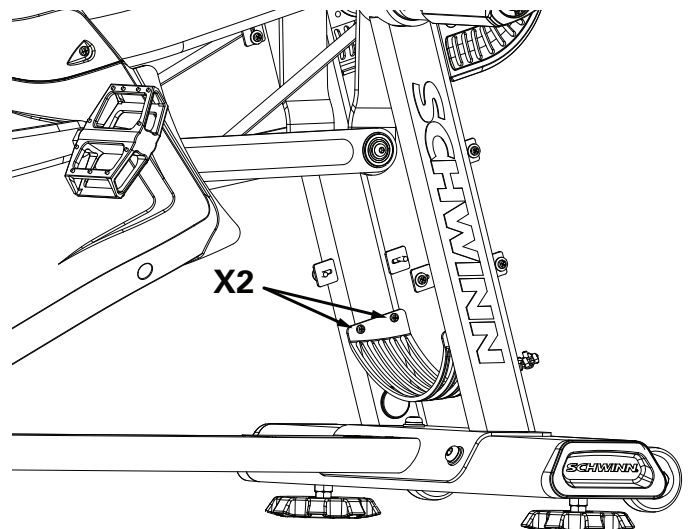
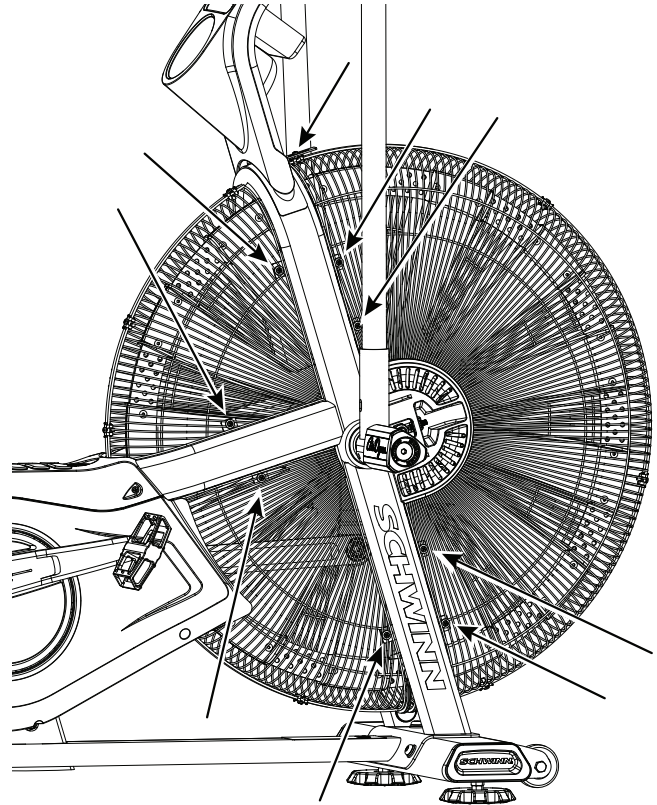
NOTICE: This step may require two people.

4. Final Inspection

Inspect your machine to ensure that all hardware is tight and components are properly assembled.



Do not use until the machine has been fully assembled and inspected for correct performance in accordance with the Owner’s Manual.



NOTICE: This document provides instructions for the replacement of the Linkage Arms on the Schwinn® AD7 AirDyne® Bike.

If you need assistance, please call Schwinn Customer Service (if purchased in US/Canada) or your local distributor (if purchased outside US/Canada). To find your local distributor, go to: www.nautilusinternational.com

⚠ This icon means a potentially hazardous situation which, if not avoided, could result in death or serious injury. Read and understand all Warnings on this machine.

Nautilus, Inc., www.NautilusInc.com, 5415 Centerpoint Parkway, Groveport, OH 43125 U.S.A. - Customer Service: North America (800) 605-3369, csnls@nautilus.com | outside U.S. www.nautilusinternational.com | © 2016 Nautilus, Inc. | Schwinn, the Schwinn Quality logo, and AirDyne are trademarks owned by or licensed to Nautilus, Inc., which are registered or otherwise protected by common law in the United States and other countries. Polar® is a registered trademarks of its owner. | ORIGINAL DOCUMENT - ENGLISH VERSION ONLY

Important Safety Instructions

⚠ This icon means a potentially hazardous situation which, if not avoided, could result in death or serious injury. Read and understand all Warnings on this machine.

Before servicing or using this equipment, obey the following warnings:

⚠ Read and understand the Service Manual before working on the machine. Failure to obey the instructions and safety warnings could cause injury to the service technician or bystanders.

- Keep bystanders and children away from the product being serviced at all times.
- Make sure that the repair is done in an appropriate work space away from foot traffic and exposure to bystanders.
- Disconnect all power to the machine before you service it.
- Some components of the equipment can be heavy or awkward. Enlist the service of a second person when you do maintenance steps involving these components. Do not try to do heavy or awkward steps on your own.
- If replacement parts are necessary, use only genuine replacement parts and hardware supplied by Nautilus. Failure to use genuine replacement parts can cause a risk to users, keep the machine from operating correctly and void the warranty.
- Be sure that all warning stickers and instructional placards applied to the product stay present and in good condition when doing maintenance or replacing components. If at any time the Warning labels become loose, unreadable or dislodged, replace the labels. If purchased in US/Canada, contact Customer Service for replacement labels. If purchased outside US/Canada, contact your local distributor for them..
- Do not try to change the design or functionality of the machine being serviced as this can adversely affect user safety.
- Do not put the machine back in service until all shrouds, instructions, warning labels and correct functionality have been verified and tested for correct performance.

• SAVE THESE INSTRUCTIONS.

Tools Required (not included)

#2 Phillips screwdriver



8mm hex key
5mm hex key



Small flathead screwdriver



8mm calibrated torque wrench (60 N·m)



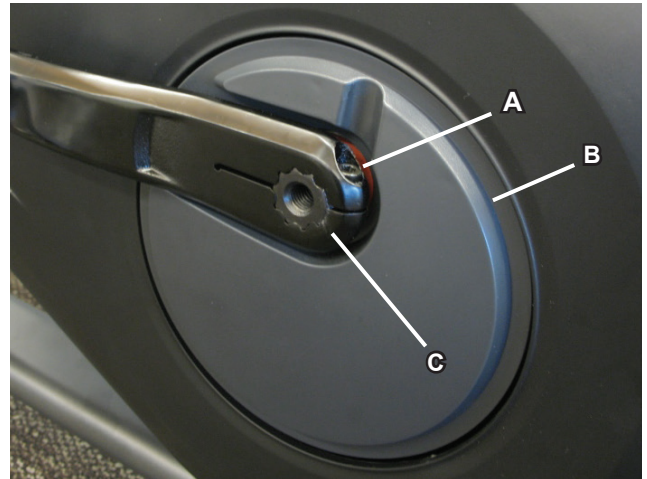
NOTICE: It is necessary to remove the Shrouds for this procedure. Refer to the “Replace the Shrouds” procedure.

Note: Your machine may not match the image. For reference only.

1. Using an 8mm hex key, remove the Cap Screw (A) from the Crank Arm assembly (B).

NOTICE: Hold the Crank Arm assembly so that it does not fall.

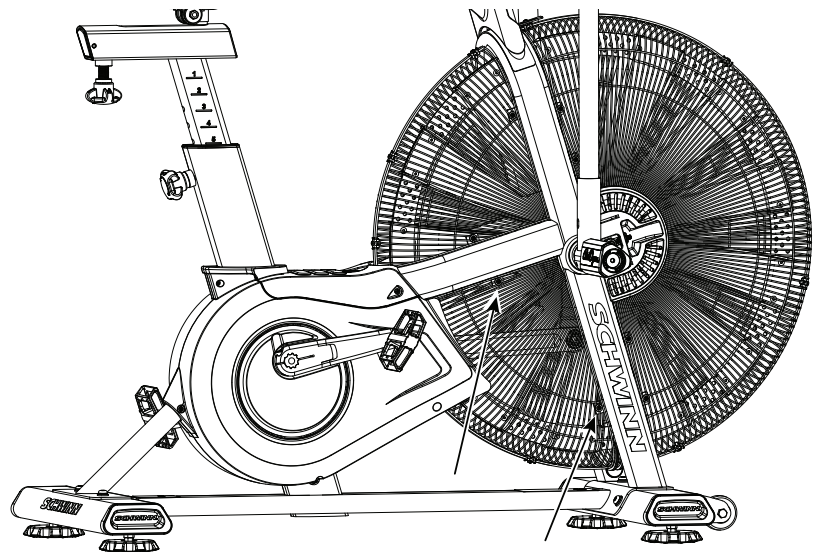
2. Remove the Crank Arm assembly (B) from the Crank Link Assembly shaft (C). Set it safely aside.



3. Carefully remove the Shrouds. Set them safely aside for reassembly. Refer to the “Replace the Shrouds” procedure in the Service Manual.

⚠ Be aware that the Pedals, Handlebars and Resistance Fan are connected and when any of these parts move the others do as well.

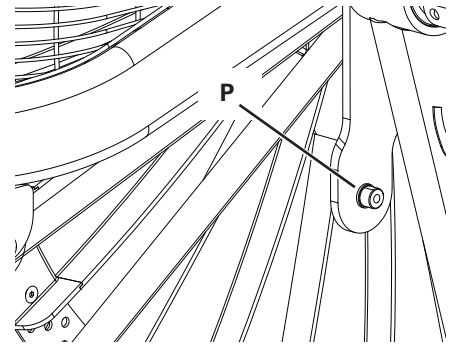
4. Using a #2 Phillips Screwdriver, loosen and remove the screws that attach the lower Fan Cage. Carefully remove the lower Fan Cage sections. Set them safely aside for reassembly.



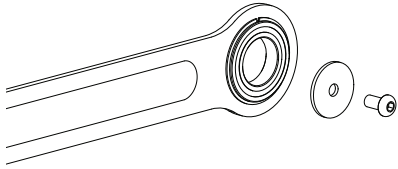
5. Using a 5 mm hex key, loosen and remove the indicated screw and washer that attach the Linkage Arm to the Arm Pivot. Carefully remove the Linkage Arm from the Arm Pivot and the Crank Link Assembly shaft, using a flathead screwdriver to pry the bearings off the shaft. Set it safely aside.



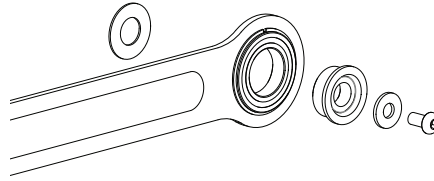
6. Before installing the new Linkage Arm, check the diameter of the small pivot shaft (P) on the Arm Pivot. Use the appropriate hardware in the Linkage Arm service kit for your machine.



25mm dia. pivot shaft



12mm dia. pivot shaft



6. Installation is the reverse procedure. Put the Right Shroud in position first to align the screws for the Left Shroud. Install the top screws first.

NOTICE: Be sure the tabs in the Top Shroud snap into the Main Assembly.

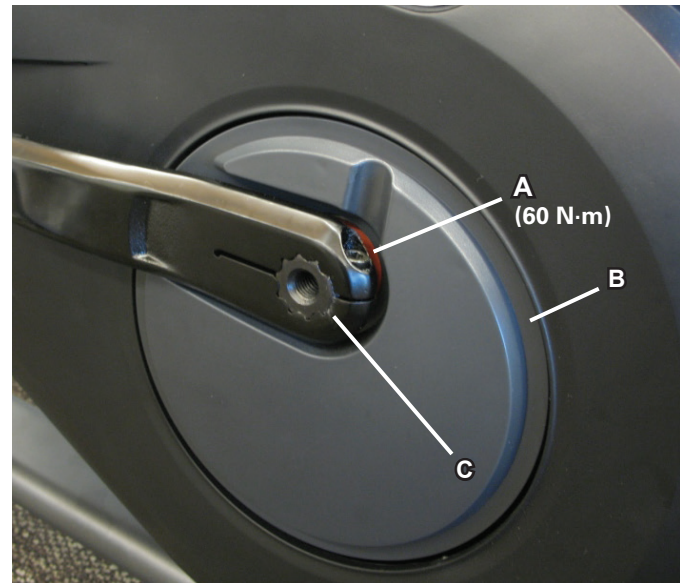
Completely tighten the Cap Screws (A) on the Crank Arms or torque to 60 N·m.

! The Left Crank Arm has an “L”, the Right Crank Arm an “R”. Orientation is based from a seated position on the bike. Make sure the Crank Arms are secure before you exercise.

7. Final Inspection

Inspect your machine to ensure that all hardware is tight and components are properly assembled.

! Do not use until the machine has been fully assembled and inspected for correct performance in accordance with the Owner’s Manual.



NOTICE: This document provides instructions for the replacement of the RPM Sensor (Speed Sensor) on the Schwinn® AD7 AirDyne® Bike.

If you need assistance, please call Schwinn Customer Service (if purchased in US/Canada) or your local distributor (if purchased outside US/Canada). To find your local distributor, go to: www.nautilusinternational.com

⚠ This icon means a potentially hazardous situation which, if not avoided, could result in death or serious injury. Read and understand all Warnings on this machine.

Nautilus, Inc., www.NautilusInc.com, 5415 Centerpoint Parkway, Groveport, OH 43125 U.S.A. - Customer Service: North America (800) 605-3369, csnls@nautilus.com | outside U.S. www.nautilusinternational.com | © 2016 Nautilus, Inc. | Schwinn, the Schwinn Quality logo, and AirDyne are trademarks owned by or licensed to Nautilus, Inc., which are registered or otherwise protected by common law in the United States and other countries. Polar® is a registered trademarks of its owner. | ORIGINAL DOCUMENT - ENGLISH VERSION ONLY

Important Safety Instructions

⚠ This icon means a potentially hazardous situation which, if not avoided, could result in death or serious injury. Read and understand all Warnings on this machine.

Before servicing or using this equipment, obey the following warnings:

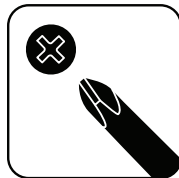
⚠ Read and understand the Service Manual before working on the machine. Failure to obey the instructions and safety warnings could cause injury to the service technician or bystanders.

- Keep bystanders and children away from the product being serviced at all times.
- Make sure that the repair is done in an appropriate work space away from foot traffic and exposure to bystanders.
- Disconnect all power to the machine before you service it.
- Some components of the equipment can be heavy or awkward. Enlist the service of a second person when you do maintenance steps involving these components. Do not try to do heavy or awkward steps on your own.
- If replacement parts are necessary, use only genuine replacement parts and hardware supplied by Nautilus. Failure to use genuine replacement parts can cause a risk to users, keep the machine from operating correctly and void the warranty.
- Be sure that all warning stickers and instructional placards applied to the product stay present and in good condition when doing maintenance or replacing components. If at any time the Warning labels become loose, unreadable or dislodged, replace the labels. If purchased in US/Canada, contact Customer Service for replacement labels. If purchased outside US/Canada, contact your local distributor for them..
- Do not try to change the design or functionality of the machine being serviced as this can adversely affect user safety.
- Do not put the machine back in service until all shrouds, instructions, warning labels and correct functionality have been verified and tested for correct performance.

• SAVE THESE INSTRUCTIONS.

Tools Required (not included)

#2 Phillips screwdriver
#0 Phillips screwdriver



3' (91 cm) length of string

6mm hex key

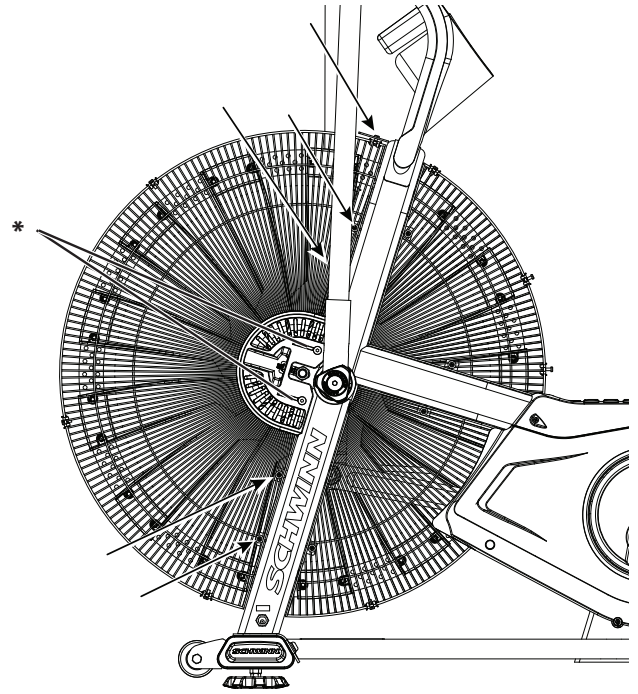


Note: Your machine may not match the image. For reference only.

1. Unplug the AC Adapter from the wall outlet and machine.
2. Using a #2 Phillips Screwdriver, loosen and remove the screws (*) that attach the left Fan Adjustment Plate Cover. Carefully remove the Fan Adjustment Plate Cover. Set the screws and cover safely aside for reassembly.

3. Loosen and remove the indicated screws that attach the Front Fan Cage to the frame, and carefully remove the sections. Remove the bottom screws first and then the top screws. Set them safely aside for reassembly.

NOTICE: Hold each section of the Fan Cage as you loosen the screws so that it does not fall.



4. Using a 6 mm hex key, loosen and remove the hardware that attaches Console/Mast Assembly to the frame. Set the hardware safely aside for reassembly.

NOTICE: Hold the Console/Mast Assembly so that it does not fall. This step may require two people.

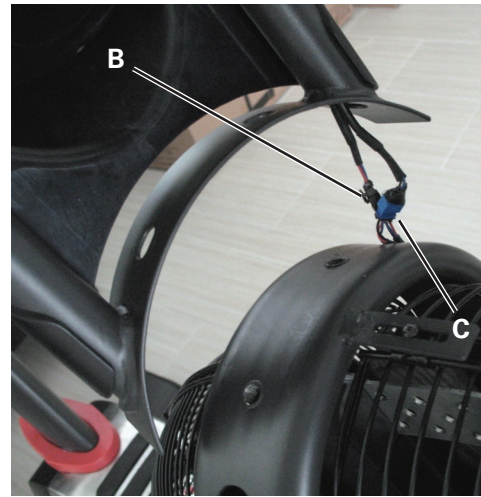


5. Carefully lift the Console/Mast Assembly. Disconnect the RPM Data Cable (B) and Power Inlet Cable (C). Set the Console/Mast Assembly safely aside for reassembly.

NOTICE: Do not let the cables fall down inside the frame. This step may require two people.

6. Observe the cable routing to the RPM Sensor (A). Tie the piece of string to the end of the RPM Data Cable (B) at the top opening in the frame.

7. Carefully open the cable clip (D) that secures the RPM Data Cable (B) and Power Inlet cable (C) on the frame upright (E), and release the RPM Data Cable.



8. Using a #0 Phillips screwdriver, remove the screws (A1) that attach the RPM Sensor (A) to the Fan shaft (F). Carefully remove the old RPM Sensor assembly and pull the cable (B) so that the string extends through the frame upright.

NOTICE: Do not crimp any cables. Do not let the Power Inlet cable (C) fall down inside the frame. This step may require two people.

9. Untie the string from the old RPM Data cable and discard the old RPM Sensor.

10. Installation is the reverse procedure. Tie the string to the cable end (B) on the replacement RPM Sensor (A). Carefully pull the cable up through the frame upright. To keep the RPM Data Cable clear of the Fan, carefully secure RPM Data Cable in the cable clip (D) with the Power Inlet cable (C) on the frame upright.

NOTICE: Do not crimp any cables. Make sure the RPM Sensor is oriented correctly on the Fan Spindle. Be sure the routing for the cables is correct to prevent interference from moving parts.

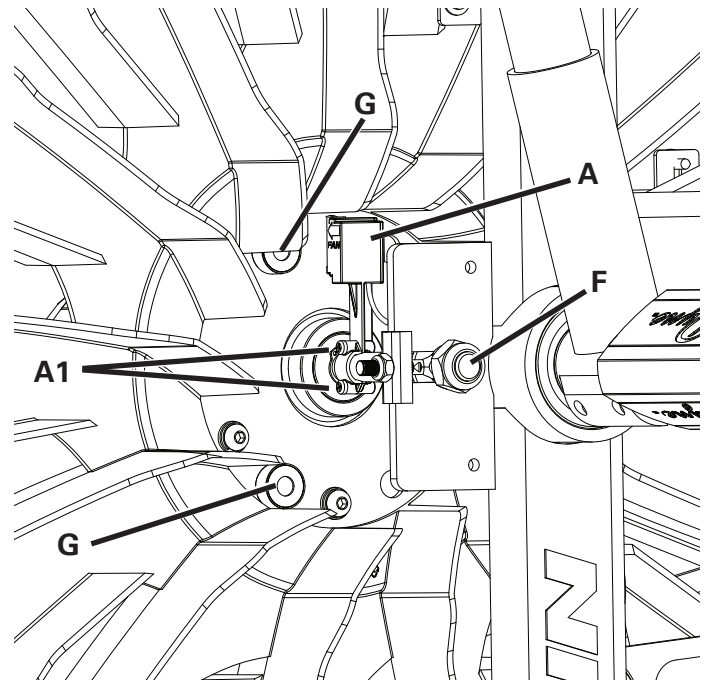
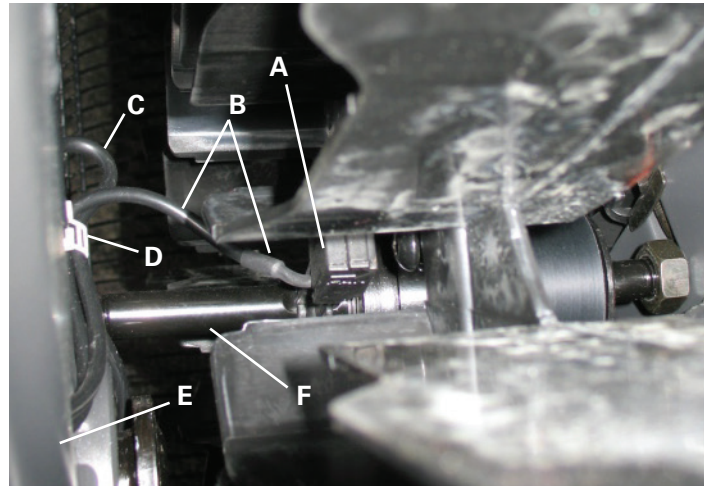
Note: Before fully attaching the Fan Cage, verify that the RPM Sensor (A) and Speed Sensor Magnets (G) on the Fan Assembly do not touch.

11. Final Inspection

Inspect your machine to ensure that all hardware is tight and components are properly assembled.

! Do not use until the machine has been fully assembled and inspected for correct performance in accordance with the Owner's Manual.

RPM Sensor cable – frame to sensor (top back view)



NOTICE: This document provides instructions for the replacement of the Drive Belt and Fan Assembly on the Schwinn® AD7 AirDyne® Bike.

If you need assistance, please call Schwinn Customer Service (if purchased in US/Canada) or your local distributor (if purchased outside US/Canada). To find your local distributor, go to: www.nautilusinternational.com



This icon means a potentially hazardous situation which, if not avoided, could result in death or serious injury. Read and understand all Warnings on this machine.

Nautilus, Inc., www.NautilusInc.com, 5415 Centerpoint Parkway, Groveport, OH 43125 U.S.A. - Customer Service: North America (800) 605-3369, csnls@nautilus.com | outside U.S. www.nautilusinternational.com | © 2016 Nautilus, Inc. | Schwinn, the Schwinn Quality logo, and AirDyne are trademarks owned by or licensed to Nautilus, Inc., which are registered or otherwise protected by common law in the United States and other countries. Polar® is a registered trademarks of its owner. | ORIGINAL DOCUMENT - ENGLISH VERSION ONLY

Important Safety Instructions



This icon means a potentially hazardous situation which, if not avoided, could result in death or serious injury. Read and understand all Warnings on this machine.

Before servicing or using this equipment, obey the following warnings:



Read and understand the Service Manual before working on the machine. Failure to obey the instructions and safety warnings could cause injury to the service technician or bystanders.

- Keep bystanders and children away from the product being serviced at all times.
- Make sure that the repair is done in an appropriate work space away from foot traffic and exposure to bystanders.
- Disconnect all power to the machine before you service it.
- Some components of the equipment can be heavy or awkward. Enlist the service of a second person when you do maintenance steps involving these components. Do not try to do heavy or awkward steps on your own.
- If replacement parts are necessary, use only genuine replacement parts and hardware supplied by Nautilus. Failure to use genuine replacement parts can cause a risk to users, keep the machine from operating correctly and void the warranty.
- Be sure that all warning stickers and instructional placards applied to the product stay present and in good condition when doing maintenance or replacing components. If at any time the Warning labels become loose, unreadable or dislodged, replace the labels. If purchased in US/Canada, contact Customer Service for replacement labels. If purchased outside US/Canada, contact your local distributor for them..
- Do not try to change the design or functionality of the machine being serviced as this can adversely affect user safety.
- Do not put the machine back in service until all shrouds, instructions, warning labels and correct functionality have been verified and tested for correct performance.

• SAVE THESE INSTRUCTIONS.

Tools Required (not included)

#2 Phillips screwdriver
#0 Phillips screwdriver



19mm socket and wrench



6mm hex key
5mm hex key



6mm calibrated torque wrench (40 N·m)

28mm spacer (or old Drive Belt)

10mm open end wrench
19mm open end wrench



NOTICE: It is necessary to remove the Shrouds for this procedure. Refer to the “Replace the Shrouds” procedure.
It is necessary to adjust the Drive Belt tension at the end of this procedure. Refer to the “Belt Tension Adjustment” procedure.

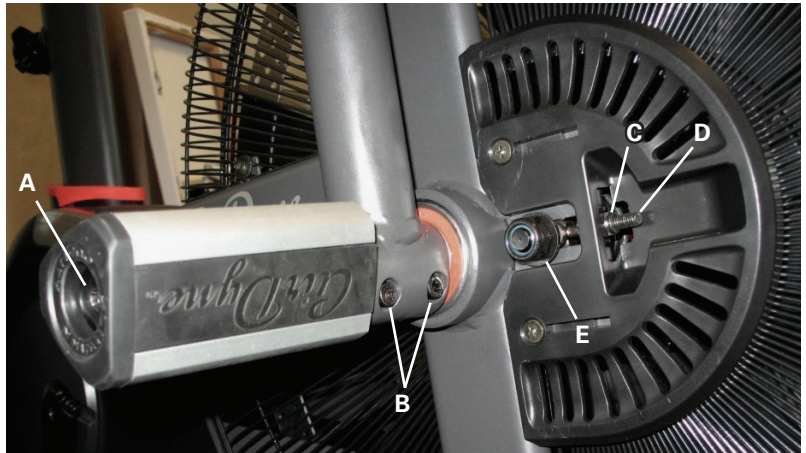
Note: Your machine may not match the image. For reference only.

1. Unplug the AC Adapter from the wall outlet and machine.
2. Loosen the hardware (A) that attaches the Right Foot Peg to the frame assembly. Remove the hardware and Foot Peg, and set them safely aside. Loosen and remove the screws (B) that attach the Right Handlebar Arm to the Arm Pivot assembly. Set them safely aside.

⚠ Be aware that the Pedals, Handlebars and Resistance Fan are connected and when any of these parts move the others do as well.

3. Remove the Right Handlebar Arm and set it safely aside.

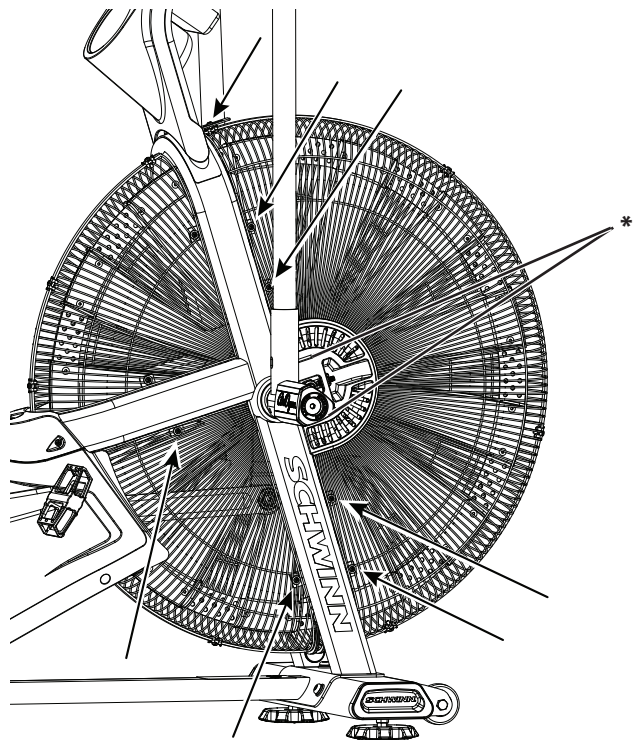
⚠ Do not use a hammer to remove the handlebar.



4. Carefully remove the Top and Right Shrouds. Refer to the “Replace the Shrouds” procedure in this manual.

5. Loosen and remove the indicated screws that attach the Fan Adjustment Plate Covers (*) and Front and Lower Fan Cage to the frame. Carefully remove the Fan Cage sections and Fan Adjustment Plate Covers. Set them safely aside for reassembly.

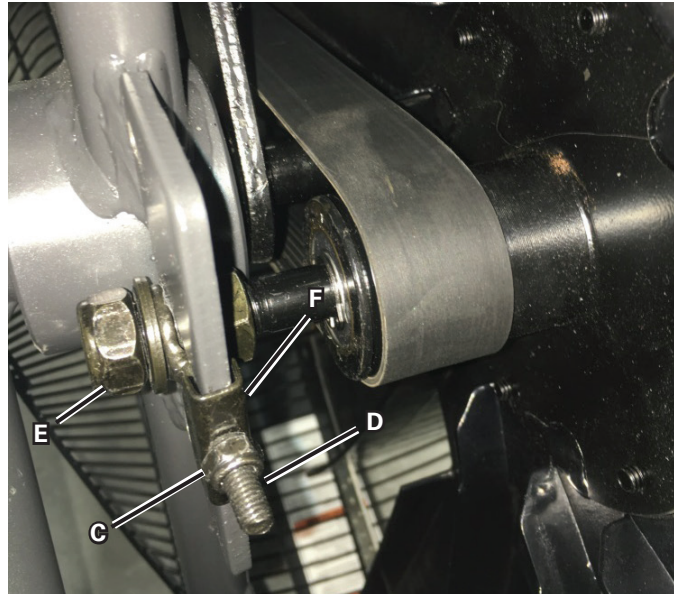
NOTICE: Hold each section of the Fan Cage as you loosen the screws so that it does not fall. If necessary, loosen and remove the screws that attach the sections of the Fan Cage to each other.



6. Using a 19mm open end wrench, loosen and remove the Fan spindle lock nuts (E) on both sides of the machine. Set them safely aside for reassembly.

Note: If you are only replacing the Drive Belt, it is only necessary to loosen these parts.

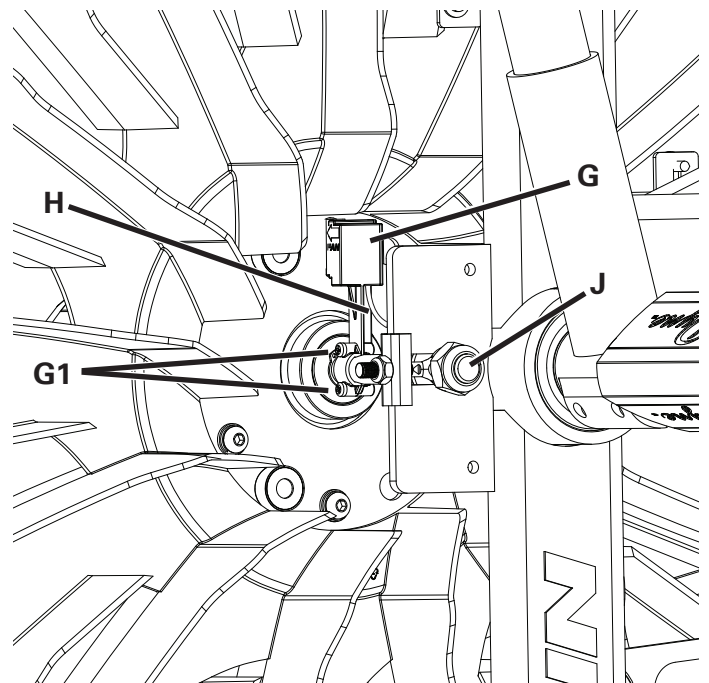
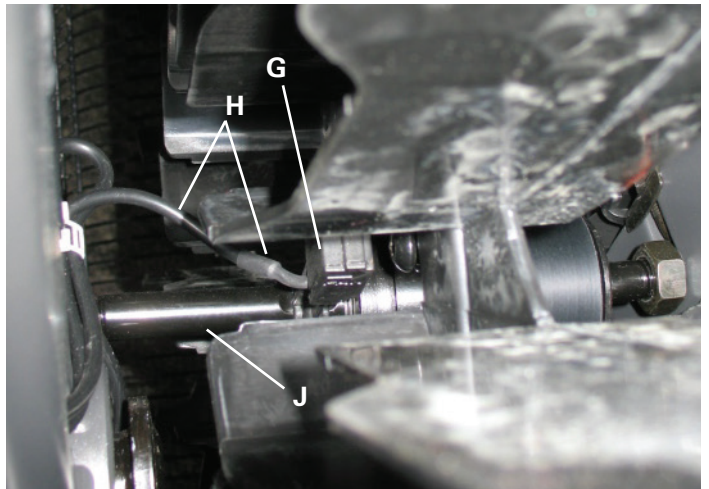
7. Using a 10mm open end wrench, loosen and remove the Adjustment Nuts (C), Spindle Clips (F) and Threaded Tensioners (D) on both sides of the machine. Set them safely aside for reassembly.



8. Using a #0 Phillips screwdriver, loosen and remove the screws (G1) that attach the RPM Sensor (G) to the Fan Assembly shaft (J). Carefully remove the RPM Sensor and put it and the RPM Data Cable (H) safely aside.

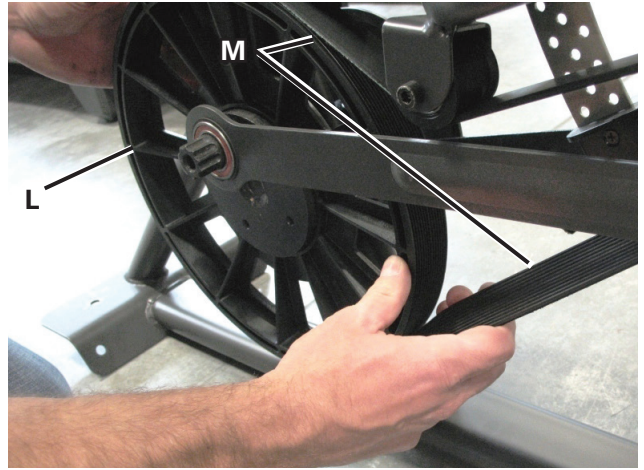
Note: If you are only replacing the Drive Belt, it is not necessary to do this step.

RPM Sensor cable – frame to sensor (top back view)

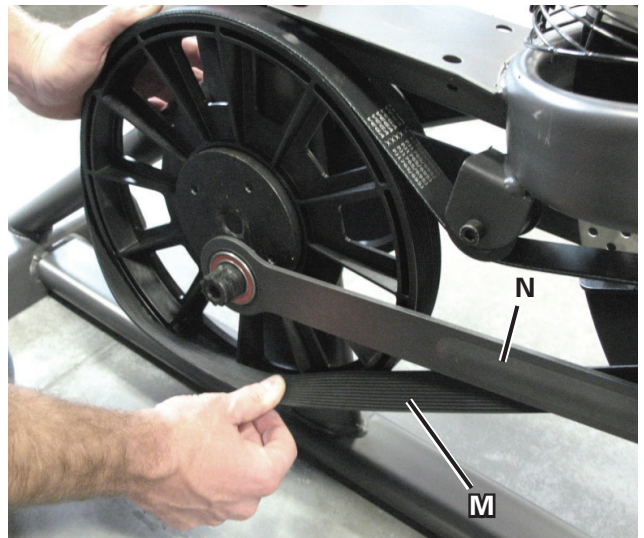


9. Slowly turn the Drive Pulley (L) forward and carefully ease the Drive Belt (M) off the Drive Pulley to the outside from the bottom of the pulley.

 **Be sure to keep fingers clear of all pinch hazards as you turn the Drive Pulley.**



Crank arm not shown



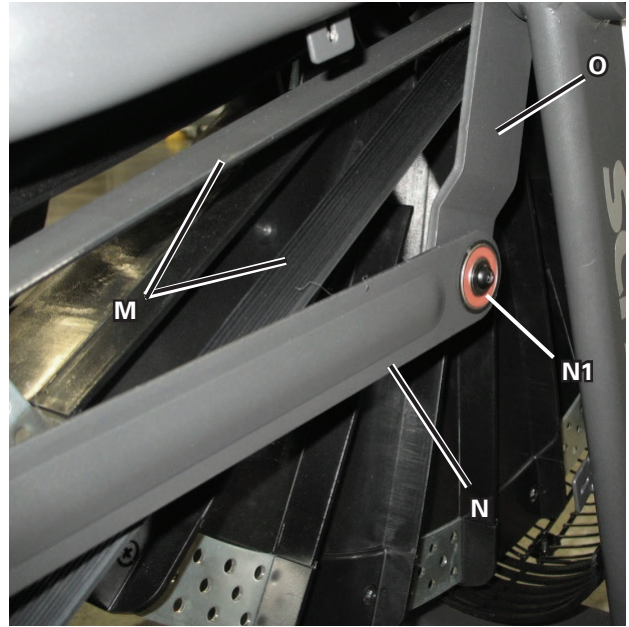
Fan shaft removed from frame bracket and Drive Belt



10. Carefully remove the Fan Assembly from the frame brackets and the Drive Belt (M).

NOTICE: This step may require two people.

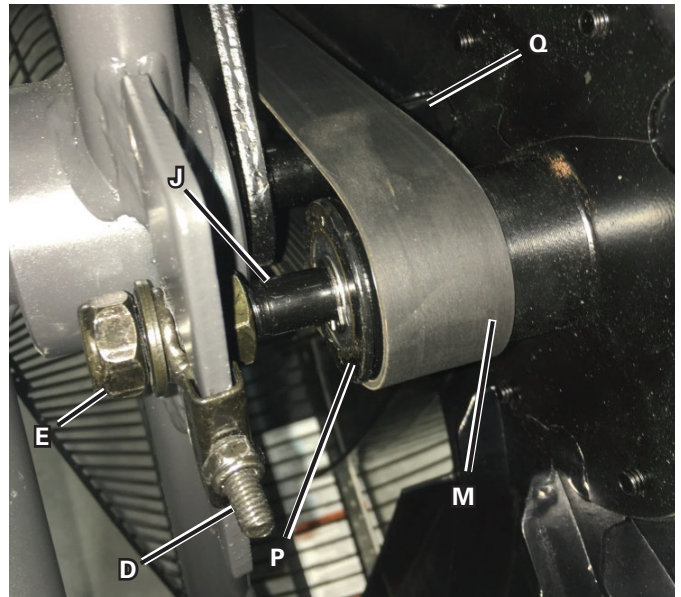
11. To remove the Drive Belt (M), loosen and remove the hardware (N1) that attaches the right Linkage Arm (N) to the Arm Pivot (O), using the 5 mm hex key. Set the screws safely aside for reassembly. Separate the Linkage Arm from the Arm Pivot. Remove the old Drive Belt and set it safely aside.



12. Hold the Fan Assembly near the frame brackets and put the new Drive Belt (M) in position on the Fan pulley (P). Be sure that the upper portion of the Drive Belt is above the spindle (Q).

NOTICE: This step may require two people.

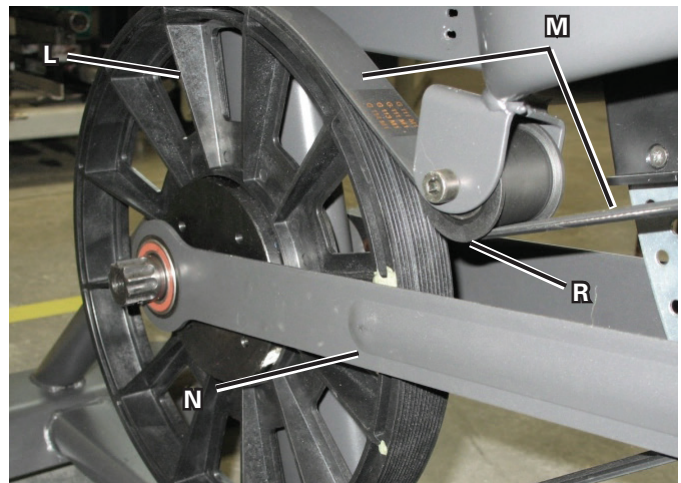
13. Align the Fan shaft (J) in the frame brackets. Put the Threaded Tensioners (D) on both ends of the Fan shaft. Hand tighten the Fan spindle lock nuts (E) on each end of the Fan shaft.



14. To put the Drive Belt (M) onto the Drive Pulley (L), align the grooves of the belt with the grooves at the top of the pulley, with the slack of the belt to the outside. While holding the belt on the pulley, rotate the Drive Pulley backward until the belt is completely seated in the grooves. Make sure the Drive Belt is aligned on the Fan pulley (P), Idler Pulley (Q), Rear Idler Pulley (R) and Drive Pulley.

! Be sure to keep fingers clear of all pinch hazards as you turn the Drive Pulley.

15. Reattach the right Linkage Arm (N) to the Arm Pivot (O).



16. Move the Fan spindle backward in the frame brackets to the end of the slots. Reinstall the Adjustment Nuts (C) and Spindle Clips (F) on the Threaded Tensioners (D) on both sides of the machine so the the Spindle Clips just touch the frame brackets and the Adjustment Nuts just touch the Spindle Clips. Tighten the Adjustment Nuts 9 turns.

Note: This step may require two people. If using a tension measuring tool, adjust the Drive Belt to 891 N +/- 67 N.

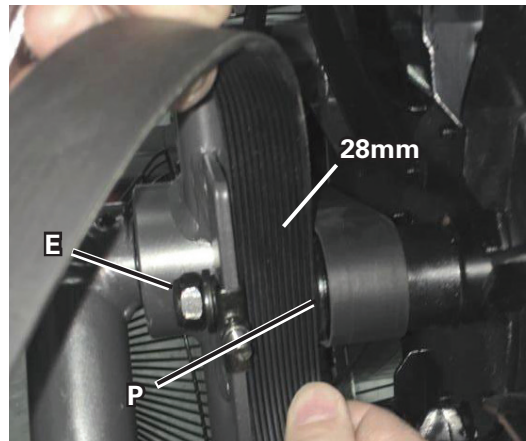
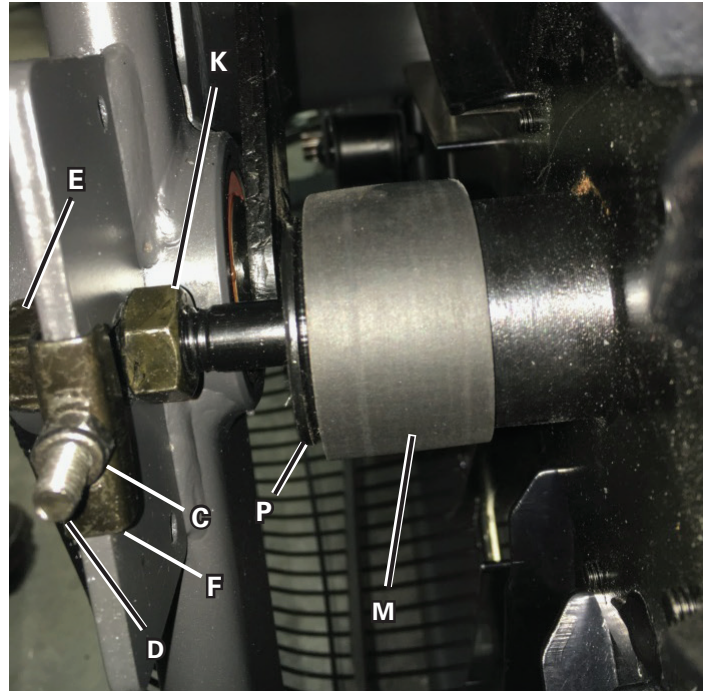
17. Make sure the Drive Belt (M) is centered on the Fan hub (P) and the Drive Pulley (L). The Fan hub should have 1 groove visible to the left of the belt, and not extend over the right side of the hub.

18. Check the side-to-side position of the Fan. With the Fan spindle lock nuts (E) loosened, adjust the Fan spindle jam nuts (K) to allow a gap of 28mm between the outer face of the Fan hub (P) and the frame bracket steel plate. (28mm = width of old Drive Belt.)

19. Using the 19 mm open end wrench, tighten the Fan spindle lock nuts (E) on each end of the Fan shaft (J). If a torque wrench is available, tighten nuts to 10 N·m.

Note: If necessary, hold the Fan spindle jam nuts (K) so that they do not spin.

Right side – Fan hub alignment (front top view)



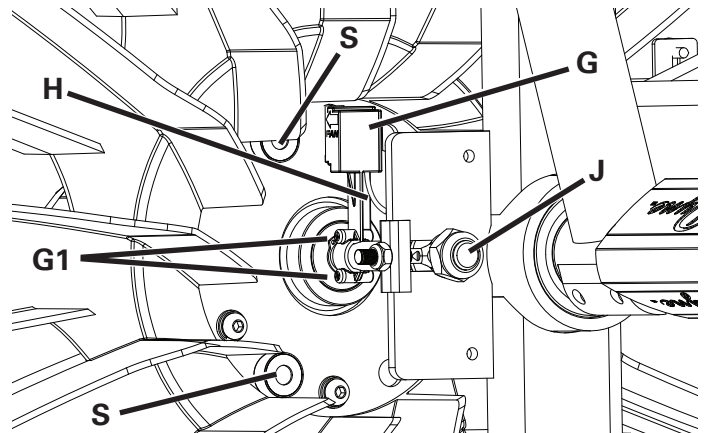
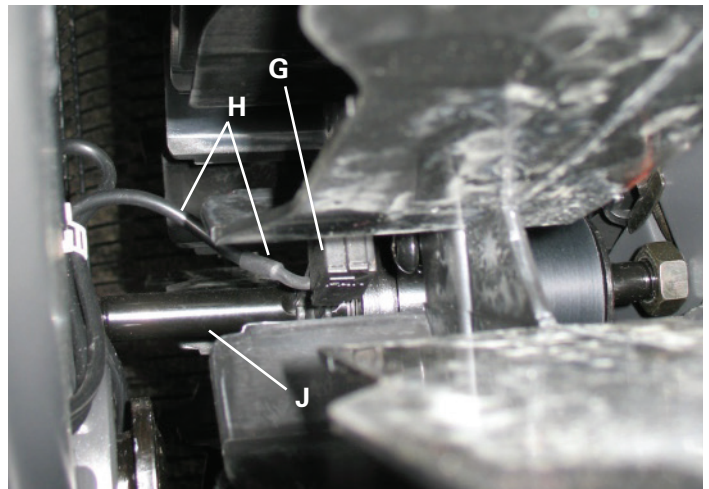
20. Reinstall the RPM Sensor (G) to the Fan shaft (J). Keep the RPM Data cable (H) clear of the Fan.

NOTICE: Do not crimp any cables. Make sure the RPM Sensor is oriented correctly on the Fan Spindle. Be sure the routing for the cables is correct to prevent interference from moving parts.

Note: Before fully attaching the Fan Cage, verify that the RPM Sensor (G) and Speed Sensor Magnets (S) on the Fan Assembly do not touch.

! Be aware that the Pedals, Handlebars and Resistance Fan are connected and when any of these parts move the others do as well.

21. Reinstall Fan Cage and test ride the machine to as high a speed as possible.



If the machine operates with no popping noises—go to Step 25.

If the Drive Belt or Fan makes noises—continue to Step 22.

22. Tighten the left Tension Adjustment Nut (C, on the side of the Fan without the Drive Belt) 1/2 turn at a time, and test for quiet operation. Repeat until the noise is gone. If the nut is adjusted more than 2 1/2 turns, the Fan Pulley (P) position may need adjustment. This is necessary if the Fan starts to make additional noise.

If the machine operates with no popping noises—go to Step 25.

If the Drive Belt or Fan makes additional noises—continue to Step 23.

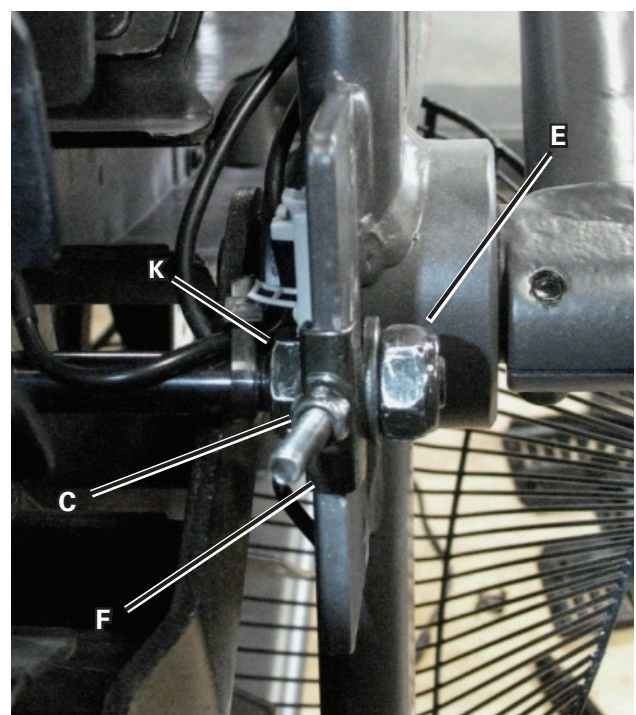
23. Remove the Front Fan Cage (see Step 4). Loosen the Tension Adjustment Nuts (C) until the Spindle Clips (F) are loose. Loosen the right Fan spindle jam nut (K). Tighten the left Fan spindle jam nut 1 full turn (toward the Frame mount bracket). Retighten the right Fan spindle jam nut to the mount bracket.

Repeat Steps 18-21.

24. Reinstall the Fan Cage.

25. Using the 19 mm open end wrench, tighten the Fan spindle lock nuts (E) on each end of the Fan shaft (J). If a torque wrench is available, tighten nuts to 10 N·m.

Left side – Fan tension adjustment (top front view)



26. Reinstall the Fan Adjustment Plate Covers.

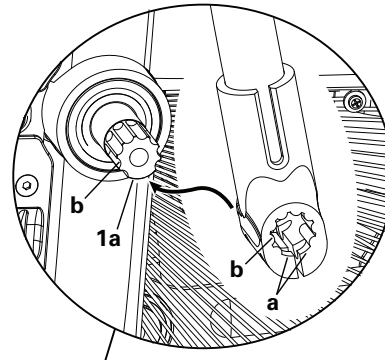
27. Reinstall the Shrouds. Refer to the “Replace the Shrouds” procedure in this manual.

NOTICE: Be sure the tabs in the Top Shroud snap into the Main Assembly.


28. Reinstall the Right Handlebar Arm and Right Foot Peg.

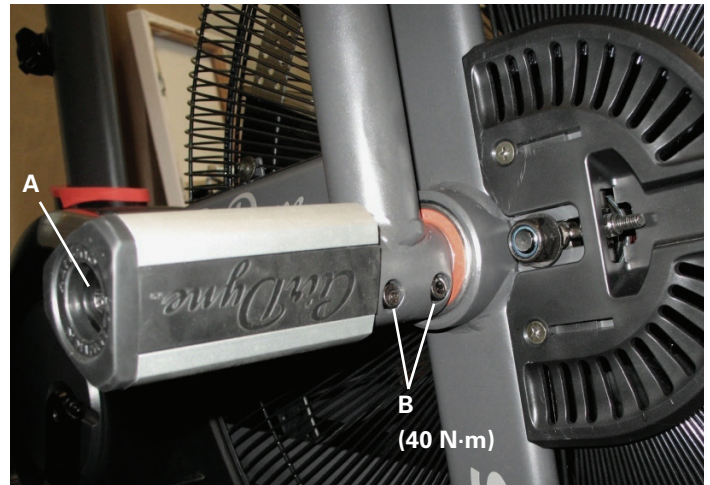
NOTICE: Align the open curve (a) on the handlebar with the smooth curve (1a) on the pivot shaft and make sure the indents (b) are exactly aligned. Carefully push the handlebar onto the shaft. Do not force or hammer into position. Gently rock the handlebar forward and backward to make sure it is fully seated on the shaft.

 Fully tighten the Cap Screws (B) on the Handlebar Arm or torque to 40 N·m.




NOTICE: Push the Shoulder Bolt (A) completely through the Foot Peg, and press the plastic washer tightly onto the end of the Foot Peg. Be sure the washer does not touch the bolt threads. Do not let the washer fall off the Foot Peg during installation.

 Fully tighten hardware. Make sure the Handlebar Arms are secure before you exercise.




29. Final Inspection

Inspect your machine to ensure that all hardware is tight and components are properly assembled.

 Do not use until the machine has been fully assembled and inspected for correct performance in accordance with the Owner's Manual.


NOTICE: This document provides instructions for the replacement of the Belt Tensioner Assembly (Idler Assembly) on the Schwinn® AD7 AirDyne® Bike.

If you need assistance, please call Schwinn Customer Service (if purchased in US/Canada) or your local distributor (if purchased outside US/Canada). To find your local distributor, go to: www.nautilusinternational.com


 This icon means a potentially hazardous situation which, if not avoided, could result in death or serious injury. Read and understand all Warnings on this machine.

Nautilus, Inc., www.NautilusInc.com, 5415 Centerpoint Parkway, Groveport, OH 43125 U.S.A. - Customer Service: North America (800) 605-3369, csnls@nautilus.com | outside U.S. www.nautilusinternational.com | © 2016 Nautilus, Inc. | Schwinn, the Schwinn Quality logo, and AirDyne are trademarks owned by or licensed to Nautilus, Inc., which are registered or otherwise protected by common law in the United States and other countries. Polar® is a registered trademarks of its owner. | ORIGINAL DOCUMENT - ENGLISH VERSION ONLY

Important Safety Instructions

 This icon means a potentially hazardous situation which, if not avoided, could result in death or serious injury. Read and understand all Warnings on this machine.

Before servicing or using this equipment, obey the following warnings:

 Read and understand the Service Manual before working on the machine. Failure to obey the instructions and safety warnings could cause injury to the service technician or bystanders.

- Keep bystanders and children away from the product being serviced at all times.
- Make sure that the repair is done in an appropriate work space away from foot traffic and exposure to bystanders.
- Disconnect all power to the machine before you service it.
- Some components of the equipment can be heavy or awkward. Enlist the service of a second person when you do maintenance steps involving these components. Do not try to do heavy or awkward steps on your own.
- If replacement parts are necessary, use only genuine replacement parts and hardware supplied by Nautilus. Failure to use genuine replacement parts can cause a risk to users, keep the machine from operating correctly and void the warranty.
- Be sure that all warning stickers and instructional placards applied to the product stay present and in good condition when doing maintenance or replacing components. If at any time the Warning labels become loose, unreadable or dislodged, replace the labels. If purchased in US/Canada, contact Customer Service for replacement labels. If purchased outside US/Canada, contact your local distributor for them..
- Do not try to change the design or functionality of the machine being serviced as this can adversely affect user safety.
- Do not put the machine back in service until all shrouds, instructions, warning labels and correct functionality have been verified and tested for correct performance.

• SAVE THESE INSTRUCTIONS.

Tools Required (not included)

#2 Phillips screwdriver



10mm open end wrench
19mm open end wrench
13mm open end wrench



6mm hex key

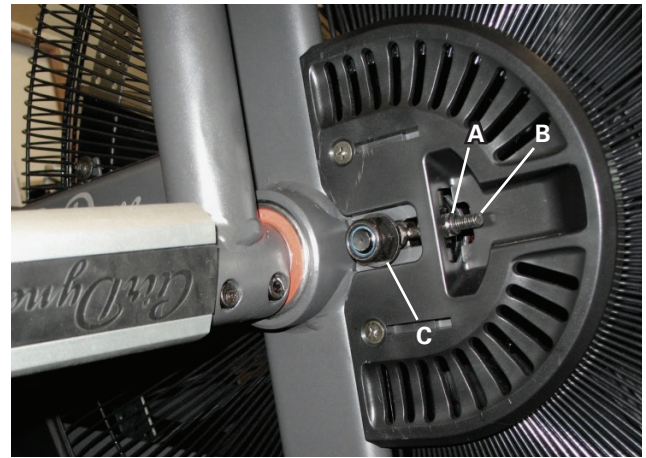


NOTICE: It is necessary to remove the Shrouds for this procedure. Refer to the “Replace the Shrouds” procedure.
It is necessary to adjust the Drive Belt tension at the end of this procedure. Refer to the “Belt Tension Adjustment” procedure

Note: Your machine may not match the image. For reference only.

1. Unplug the AC Adapter from the wall outlet and machine.

2. Record the position of the Tension Adjustment Nuts (A) on the Threaded Tensioners (B) on both sides of the machine. Count the threads or mark a piece of paper.

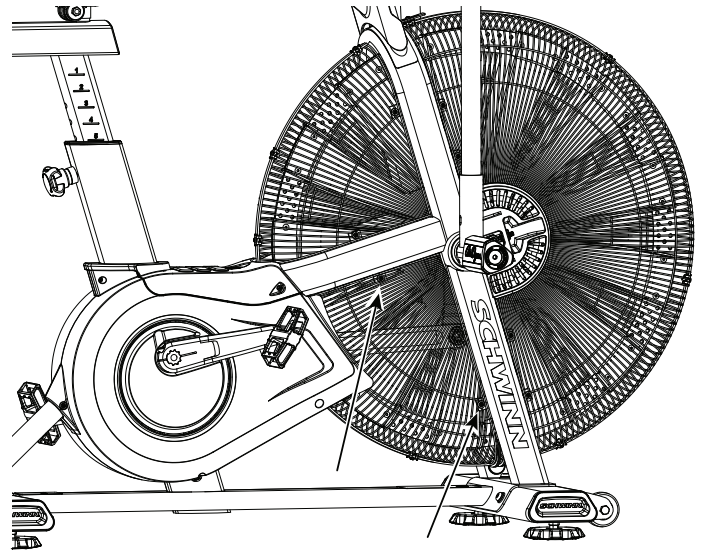


3. Carefully remove the Shrouds. Refer to the “Replace the Shrouds” procedure in this manual.

4. Using a #2 Phillips Screwdriver, loosen and remove the screws that attach the lower Fan Cage. Carefully remove the lower Fan Cage sections. Set them safely aside for reassembly.

5. Using a 19mm open end wrench, loosen the Fan spindle lock nuts (C) on the Threaded Tensioner (B) on both sides of the machine.

6. Using a 10mm open end wrench, loosen the Adjustment Nuts (A) on both sides of the machine.

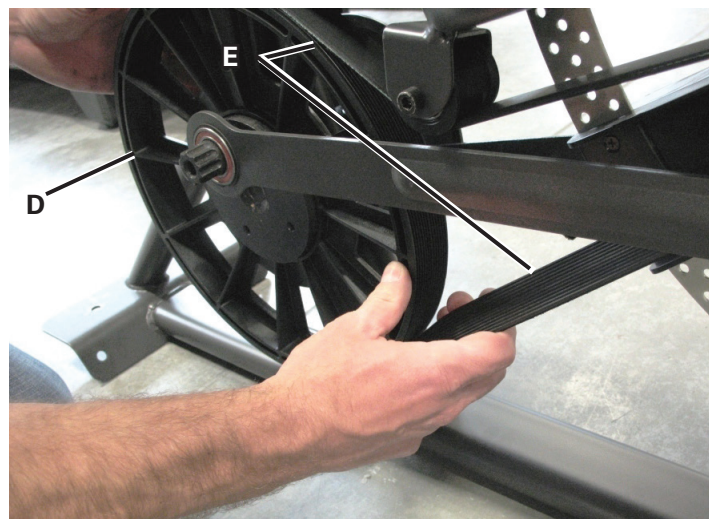


7. Slowly turn the Drive Pulley (D) forward and carefully ease the Drive Belt (E) off the Drive Pulley to the outside from the bottom of the pulley.

Crank arm not shown



Be sure to keep fingers clear of all pinch hazards as you turn the Drive Pulley.



8. Using 13 mm wrench and 6mm hex key, loosen and remove the hardware (F) from the Rear Idler Pulley assembly (G). Remove the Rear Idler Pulley from the bracket and Drive Belt (E). Discard the old Rear Idler Pulley assembly.

9. Install the new Rear Idler Pulley (G).

NOTICE: Do not overtighten the hardware (F). The Rear Idler Pulley must be able to turn. If the hardware is too tight, this can cause wear on the bearings.

10. To put the Drive Belt (E) onto the Drive Pulley (D), align the grooves of the belt with the grooves at the top of the pulley, with the slack of the belt to the outside. While holding the belt on the pulley, rotate the Drive Pulley backward until the belt is completely seated on the pulley. Make sure the Drive Belt is aligned on the Fan pulley (H), Rear Idler Pulley (G) and Drive Pulley.



Be sure to keep fingers clear of all pinch hazards as you turn the Drive Pulley.

11. Using a 10mm open end wrench, adjust the Tension Adjustment Nuts (A) to the position recorded in step 2, on both sides of the machine.

12. Using the 19 mm open end wrench, tighten the Fan spindle lock nuts (C) on each end of the Fan shaft (K).

13. Reinstall the Shrouds. Refer to the "Replace the Shrouds" procedure in this manual.

NOTICE: Be sure the tabs in the Top Shroud snap into the Main Assembly.

14. Make sure that the belt tension is correct. Refer to the "Belt Tension Adjustment" section in this manual.

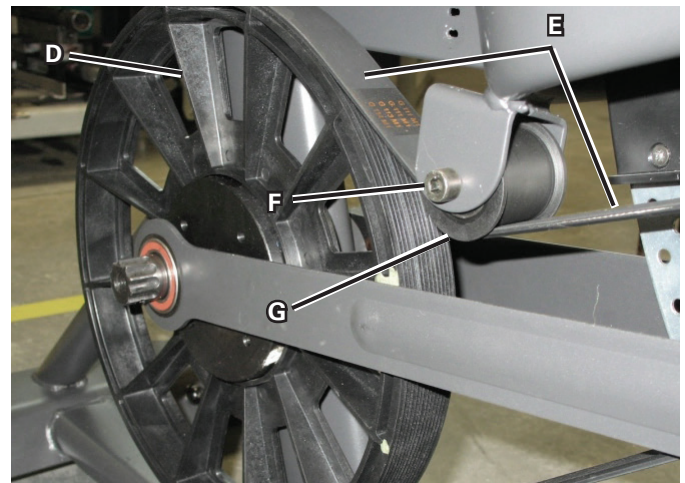
Note: This step may require two people.

15. Final Inspection

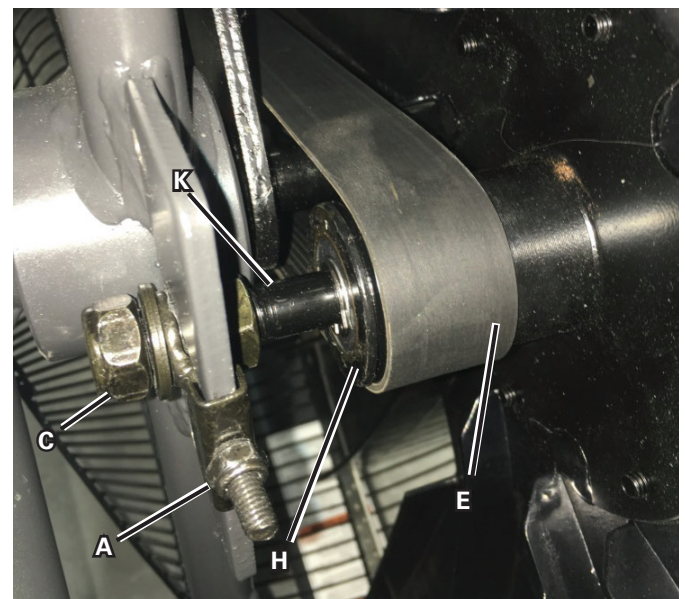
Inspect your machine to ensure that all hardware is tight and components are properly assembled.



Do not use until the machine has been fully assembled and inspected for correct performance in accordance with the Owner's Manual.



Front end belt alignment (Fan cage not shown for clarity)



NOTICE: This document provides instructions for the replacement of the Crank Link Assembly on the Schwinn® AD7 AirDyne® Bike.

If you need assistance, please call Schwinn Customer Service (if purchased in US/Canada) or your local distributor (if purchased outside US/Canada). To find your local distributor, go to: www.nautilusinternational.com

⚠ This icon means a potentially hazardous situation which, if not avoided, could result in death or serious injury. Read and understand all Warnings on this machine.

Nautilus, Inc., www.NautilusInc.com, 5415 Centerpoint Parkway, Groveport, OH 43125 U.S.A. - Customer Service: North America (800) 605-3369, csnls@nautilus.com | outside U.S. www.nautilusinternational.com | © 2016 Nautilus, Inc. | Schwinn, the Schwinn Quality logo, and AirDyne are trademarks owned by or licensed to Nautilus, Inc., which are registered or otherwise protected by common law in the United States and other countries. Polar® is a registered trademarks of its owner. | ORIGINAL DOCUMENT - ENGLISH VERSION ONLY

Important Safety Instructions

⚠ This icon means a potentially hazardous situation which, if not avoided, could result in death or serious injury. Read and understand all Warnings on this machine.

Before servicing or using this equipment, obey the following warnings:

⚠ Read and understand the Service Manual before working on the machine. Failure to obey the instructions and safety warnings could cause injury to the service technician or bystanders.

- Keep bystanders and children away from the product being serviced at all times.
- Make sure that the repair is done in an appropriate work space away from foot traffic and exposure to bystanders.
- Disconnect all power to the machine before you service it.
- Some components of the equipment can be heavy or awkward. Enlist the service of a second person when you do maintenance steps involving these components. Do not try to do heavy or awkward steps on your own.
- If replacement parts are necessary, use only genuine replacement parts and hardware supplied by Nautilus. Failure to use genuine replacement parts can cause a risk to users, keep the machine from operating correctly and void the warranty.
- Be sure that all warning stickers and instructional placards applied to the product stay present and in good condition when doing maintenance or replacing components. If at any time the Warning labels become loose, unreadable or dislodged, replace the labels. If purchased in US/Canada, contact Customer Service for replacement labels. If purchased outside US/Canada, contact your local distributor for them..
- Do not try to change the design or functionality of the machine being serviced as this can adversely affect user safety.
- Do not put the machine back in service until all shrouds, instructions, warning labels and correct functionality have been verified and tested for correct performance.

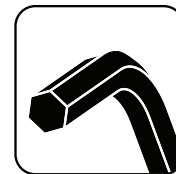
• SAVE THESE INSTRUCTIONS.

Tools Required (not included)

#2 Phillips screwdriver



8mm hex key
6mm hex key
5mm hex key



Small flathead screwdriver



6mm calibrated torque wrench (40 N·m)
8mm calibrated torque wrench (60 N·m)



NOTICE: It is necessary to remove the Shrouds for this procedure. Refer to the “Replace the Shrouds” procedure.

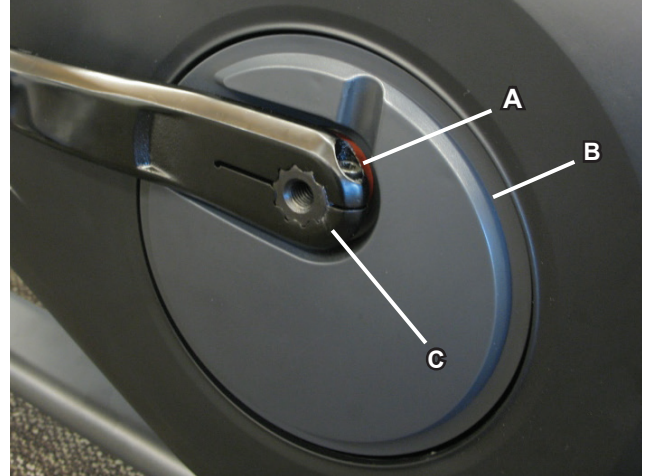
Note: Your machine may not match the image. For reference only.

1. Unplug the AC Adapter from the wall outlet and machine.

2. Using an 8mm hex key, remove the Cap Screw (A) from the Left Crank Arm assembly (B).

NOTICE: Hold the Crank Arm assembly so that it does not fall.

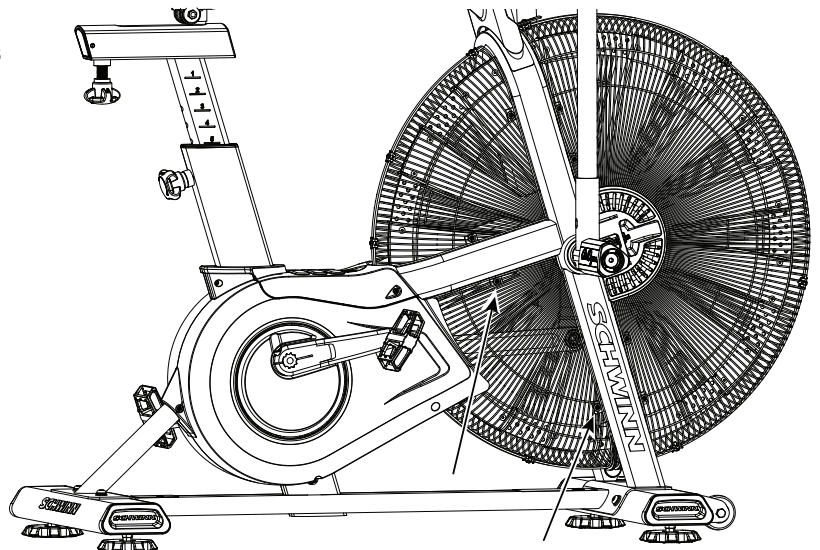
3. Remove the Left Crank Arm assembly (B) from the Crank Link Assembly shaft (C). Set it safely aside.



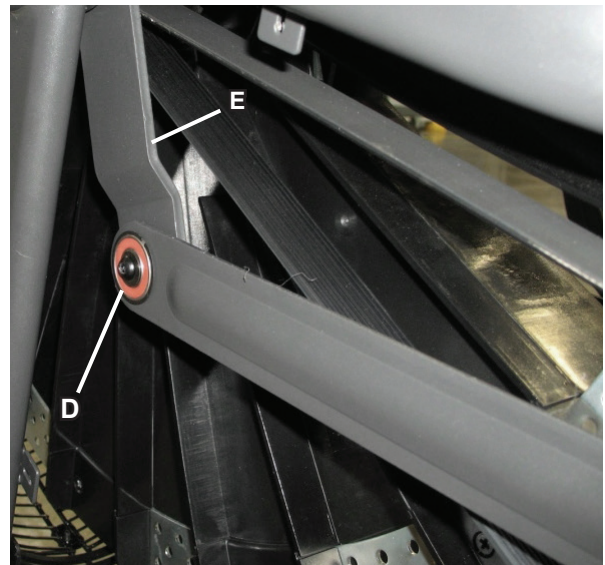
4. Carefully remove the Shrouds. Set them safely aside for reassembly. Refer to the “Replace the Shrouds” procedure in this manual.

⚠ Be aware that the Pedals, Handlebars and Resistance Fan are connected and when any of these parts move the others do as well.

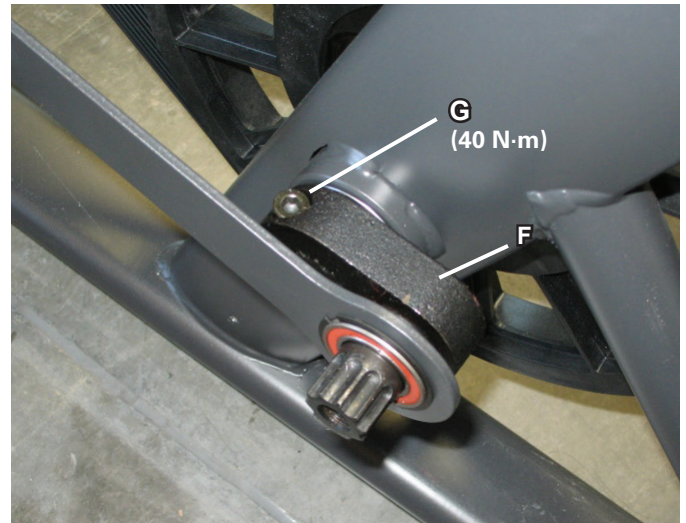
5. Using a #2 Phillips Screwdriver, loosen and remove the screws that attach the lower Fan Cage. Carefully remove the lower Fan Cage sections. Set them safely aside for reassembly.



6. Using a 5 mm hex key, loosen and remove the screw and washer (D) that attach the left Linkage Arm to the Arm Pivot (E). Carefully remove the Linkage Arm from the Arm Pivot and the Crank Link Assembly (F), using a flathead screwdriver to pry the bearings off the shaft. Set it safely aside.



7. Using a 6 mm hex key, loosen and remove the Cap Screw (G) that secures the Crank Link Assembly (F) to the Pulley spindle. Remove the old Crank Link Assembly and discard.



8. Installation is the reverse procedure.

Put the replacement Crank Link Assembly (F) in position on the Pulley spindle and completely tighten the Cap Screw (G), or torque to 40 N·m.

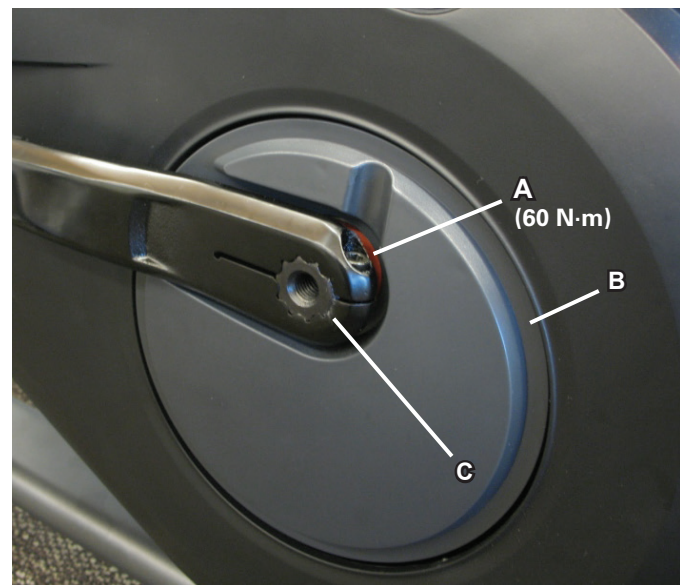
⚠ Make sure the Crank Link Assembly is secure on the Pulley spindle before you reinstall the Linkage Arm.

Put the Right Shroud in position first to align the screws for the Left Shroud. Install the top screws first.

NOTICE: Be sure the tabs in the Top Shroud snap into the Main Assembly.

Completely tighten the Cap Screw (A) on the Crank Arm (B) or torque to 60 N·m.

⚠ The Left Crank Arm has an “L”, the Right Crank Arm an “R”. Orientation is based from a seated position on the bike. Make sure the Crank Arms are secure before you exercise.



9. Final Inspection

Inspect your machine to ensure that all hardware is tight and components are properly assembled.

⚠ Do not use until the machine has been fully assembled and inspected for correct performance in accordance with the Owner's Manual.

NOTICE: This document provides instructions for the replacement of the Power Inlet Assembly on the Schwinn® AD7 AirDyne® Bike.

If you need assistance, please call Schwinn Customer Service (if purchased in US/Canada) or your local distributor (if purchased outside US/Canada). To find your local distributor, go to: www.nautilusinternational.com

⚠ This icon means a potentially hazardous situation which, if not avoided, could result in death or serious injury. Read and understand all Warnings on this machine.

Nautilus, Inc., www.NautilusInc.com, 5415 Centerpoint Parkway, Groveport, OH 43125 U.S.A. - Customer Service: North America (800) 605-3369, csnls@nautilus.com | outside U.S. www.nautilusinternational.com | © 2016 Nautilus, Inc. | Schwinn, the Schwinn Quality logo, and AirDyne are trademarks owned by or licensed to Nautilus, Inc., which are registered or otherwise protected by common law in the United States and other countries. Polar® is a registered trademarks of its owner. | ORIGINAL DOCUMENT - ENGLISH VERSION ONLY

Important Safety Instructions

⚠ This icon means a potentially hazardous situation which, if not avoided, could result in death or serious injury. Read and understand all Warnings on this machine.

Before servicing or using this equipment, obey the following warnings:

⚠ Read and understand the Service Manual before working on the machine. Failure to obey the instructions and safety warnings could cause injury to the service technician or bystanders.

- Keep bystanders and children away from the product being serviced at all times.
- Make sure that the repair is done in an appropriate work space away from foot traffic and exposure to bystanders.
- Disconnect all power to the machine before you service it.
- Some components of the equipment can be heavy or awkward. Enlist the service of a second person when you do maintenance steps involving these components. Do not try to do heavy or awkward steps on your own.
- If replacement parts are necessary, use only genuine replacement parts and hardware supplied by Nautilus. Failure to use genuine replacement parts can cause a risk to users, keep the machine from operating correctly and void the warranty.
- Be sure that all warning stickers and instructional placards applied to the product stay present and in good condition when doing maintenance or replacing components. If at any time the Warning labels become loose, unreadable or dislodged, replace the labels. If purchased in US/Canada, contact Customer Service for replacement labels. If purchased outside US/Canada, contact your local distributor for them..
- Do not try to change the design or functionality of the machine being serviced as this can adversely affect user safety.
- Do not put the machine back in service until all shrouds, instructions, warning labels and correct functionality have been verified and tested for correct performance.

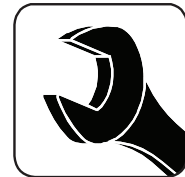
• SAVE THESE INSTRUCTIONS.

Tools Required (not included)

#2 Phillips screwdriver



17mm open end wrench
or adjustable wrench



6mm hex key



4' (122 cm) length of string

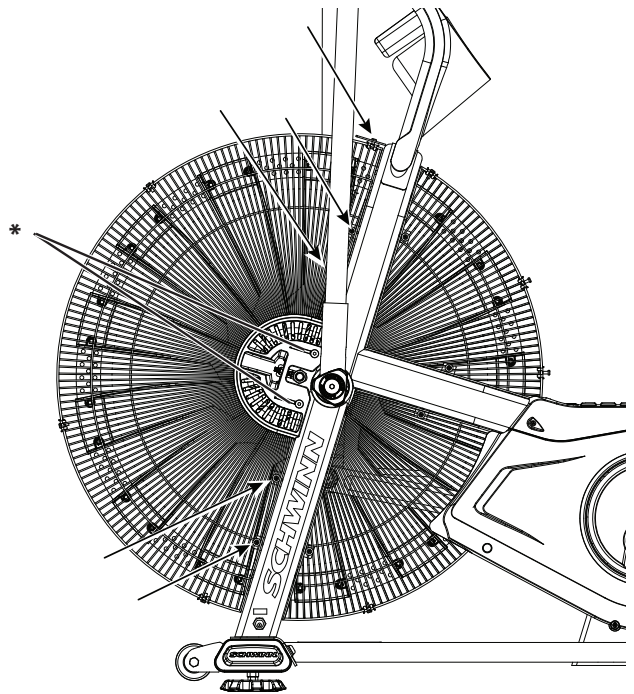


NOTICE: It is necessary to remove the Shrouds for this procedure. Refer to the “Replace the Shrouds” procedure.

Note: Your machine may not match the image. For reference only.

1. Unplug the AC Adapter from the wall outlet and machine.
2. Loosen and remove the screws (*) that attach the left Fan Adjustment Plate Cover. Carefully remove the Fan Adjustment Plate Cover. Set the screws and cover safely aside for reassembly.
3. Loosen and remove the indicated screws that attach the Front Fan Cage sections to the Frame, and carefully remove the sections. Remove the bottom screws first and then the top screws. Set them safely aside for reassembly.

NOTICE: Hold the sections of the Fan Cage as you loosen the screws so that they do not fall.



4. Loosen and remove the hardware that attaches the Console/Mast Assembly to the Frame. Set the hardware safely aside for reassembly.

NOTICE: Hold the Console/Mast Assembly so that it does not fall. This step may require two people.



5. Carefully lift the Console/Mast Assembly and disconnect the cables.

NOTICE: Do not let the cables fall down inside the Frame. This step may require two people.



6. Tie the length of string to the end of the Power Inlet cable (A) at the top of the Frame Upright.

7. Carefully open the cable clip (B) on the inside Frame Upright (E) to release the Power Inlet cable (A) and the RPM Data cable (C). Hold the Power Inlet cable at the Fan shaft (D) and carefully pull it out of the upper part of the Frame Upright so that the string extends through the tube.

NOTICE: Do not crimp the RPM Data cable (C). Hold the end of the RPM Data cable at the top of the Frame Upright so that it is not pulled down into the upright.

8. Loosen and remove the Nut (F) from the Power Inlet plug (G) on the outside of the Frame Upright. Remove the flat plastic plug (H) from the inner side of the Upright tube and set it aside for reassembly. Hold the Power Inlet assembly at the base of the Upright and carefully pull the cable out through the hole in the inner side of the tube so that the string extends through the entire length of the Upright.

NOTICE: Do not crimp the cables.

9. Untie the string from the old Power Inlet cable and discard the old Power Inlet assembly.

10. Tie the string end at the base of the Frame Upright to the connector end of the replacement Power Inlet assembly (A). Hold the string at the Fan shaft (D) and carefully pull the new Power Inlet cable through the hole in the inner side of the Upright tube (E) and the lower part of the tube, and then through the upper part. To keep the cables clear of the Fan, carefully secure the RPM Data Cable (C) and a loop of the Power Inlet cable (A) in the cable clip (B) on the Frame Upright.

NOTICE: Do not crimp the cables. Be sure the routing for the cables is correct to prevent interference from moving parts.

11. Untie the string from the Power Inlet cable, and connect the cables from the Frame to the cables from the Console/Mast assembly.

Note: Do not let the cables fall down inside the Mast.

NOTICE: Do not crimp the cables. This step may require two people.

12. Put the Mast in position on the Frame and reinstall the hardware.


NOTICE: Be sure not to crimp any cables. This step may require two people.

13. Push the Power Inlet plug (G) into the hole and tighten the Nut (F). Reinstall the plastic plug (H) on the inner side of the Upright tube (E).

NOTICE: Do not crimp any cables. Be sure the Power Inlet plug is seated evenly in the hole.

14. Final Inspection

Inspect your machine to ensure that all hardware is tight and components are properly assembled.

 **Do not use until the machine has been fully assembled and inspected for correct performance in accordance with the Owner's Manual.**

Cable clip and Power Inlet cable (top view)

