

Schwinn AirDyne AD7: I need help installing the Extra Comfort Bike Seat

ID: 13502.1

Applies to models:

AD7

Follow this troubleshooting guide to help install the Extra Comfort Bike Seat on your AirDyne AD7 bike.

Some common complaints may include:

- Difficulty installing Extra Comfort Seat
- Can't install the Extra Comfort Bike Seat
- Extra Comfort Seat installation instructions

Follow these steps to troubleshoot the issue

Tools you may need:

14mm open-ended wrench

1. Unplug the power cord from your bike and the wall outlet. Use a 14mm wrench to loosen the seat clamp on your existing bike seat until it is loose enough to remove (**reference 1**). Remove the bike seat from the seat post.

(Reference 1)

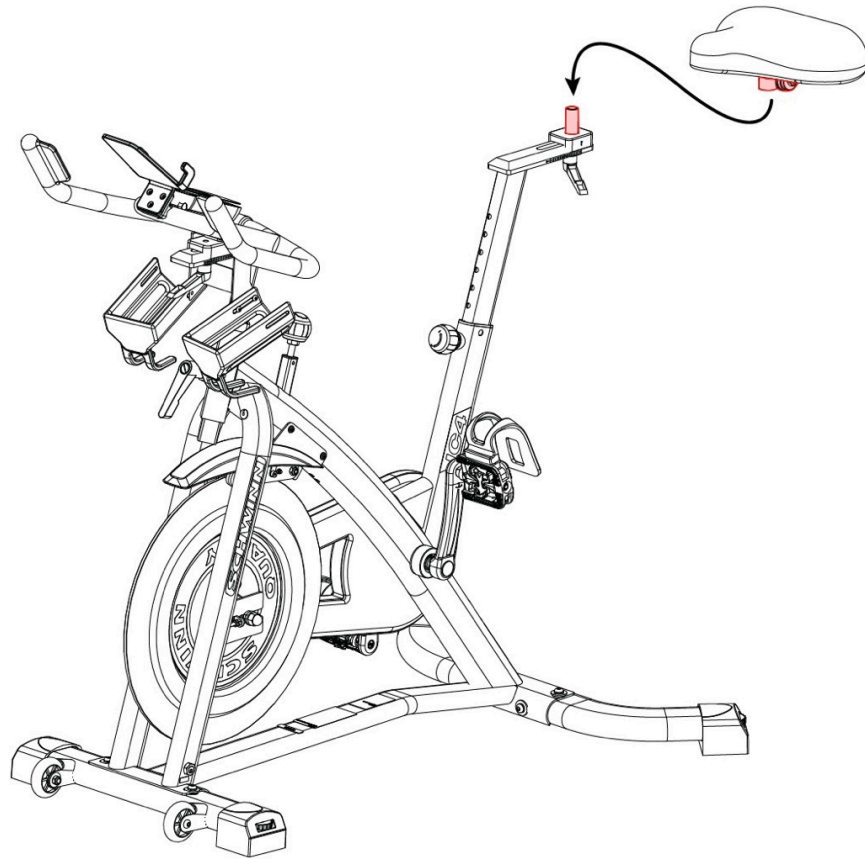


Loosen the seat clamp nut underneath the seat.

Image may not match your bike exactly - the BowFlex C6 is shown in this image.

2. Place your Extra Comfort Bike Seat on the seat post of your bike, sliding the post into the seat bracket on the underside of the seat (**reference 2**).

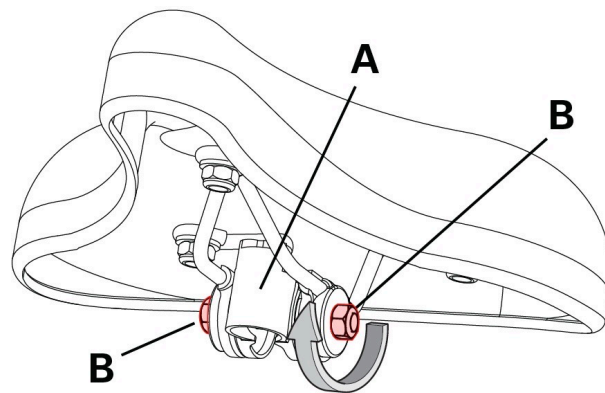
(Reference 2)



Attach the seat to the seat post by sliding the seat bracket over the post (both highlighted red).
Image may not match your bike exactly - the BowFlex C6 is shown in this image.

3. With the 14mm wrench, tighten the nuts on both sides of the seat bracket (**reference 3**). Make sure that the seat is straight and level, adjusting the position as necessary, then fully tighten the nuts on the seat clamp [\[13502.A\]](#).

(Reference 3)



Tighten both seat clamp nuts (B, highlighted red) to secure the seat to the seat post.
Image may not match your bike exactly - the BowFlex C6 is shown in this image.

Need additional assistance?

1 Customer Care Contact Information

Please contact Customer Care at **1-800-605-3369** for additional help or to order replacement parts.

**Some replacement parts may also be available for purchase [online here](#).
A list of part numbers referenced within this guide can be located at the bottom of this page.**

Customer Care - Hours of Operation:
Monday - Friday 6:00am - 5:00pm PST

*The replacement part will be provided to you at no cost assuming your machine meets the warranty eligibility requirements. A Customer Care Agent will be able to assess your current warranty eligibility and provide you with your options.
Please note that if you did not purchase your machine directly from BowFlex, Schwinn, or Nautilus, we will need a copy of your purchase receipt in order to register your machine for warranty.*

2 Contact Tech Team / Advanced Troubleshooting

If the issue was not resolved in the steps listed, contact the Tech Team or send an Advanced Troubleshooting case.

Submit a Case with case type Advanced Troubleshooting