

# Schwinn 130: Dust/Debris from the drive belt

ID: 14840.1

Follow this troubleshooting guide to help resolve issues with the drive belt generating excessive dust on the Schwinn 130 upright bike.

Some common complaints may include:

- Dust collecting in/around bike
- Dusty when using machine

**Follow these steps to troubleshoot the issue**

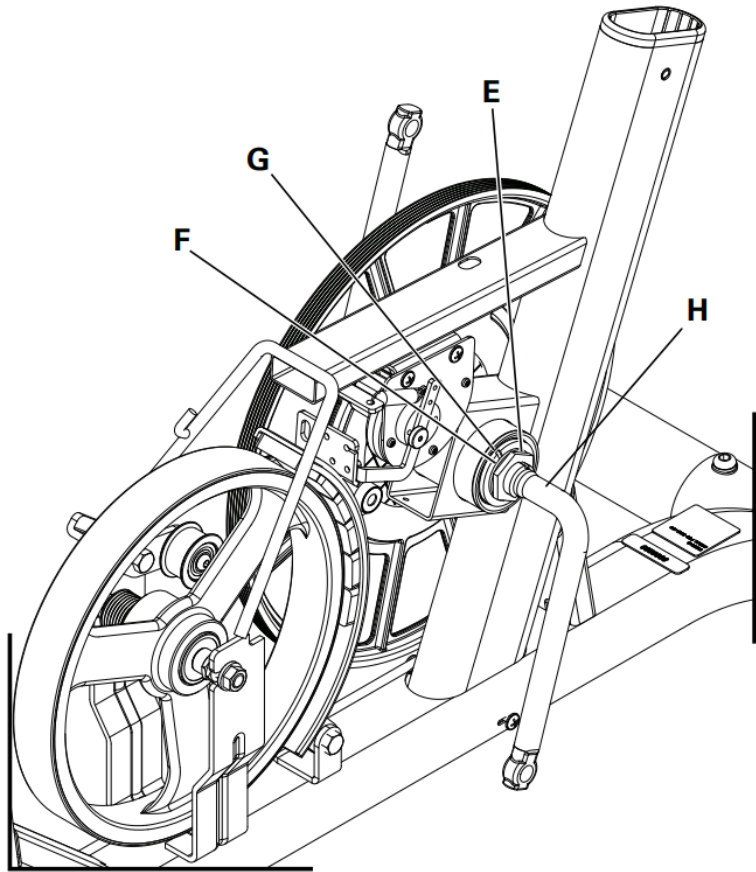
*Tools you may need:*

Phillips head screwdriver  
6mm hex/Allen wrench, or the wrench from the hardware card included with your machine  
15mm socket wrench  
13mm, 15mm open-end wrench  
32mm/adjustable open-end wrench  
Flathead screwdriver  
Pedal wrench  
Needlenose pliers  
Safety eyewear

1. Use a Phillips head screwdriver to remove the shrouds and inspect the drive belt. Instructions on removing the shrouds can be found in your ***service manual***. Check the drive belt for cracks, strings, fraying, and/or missing pieces. If any damage is present, [order a Drive Belt \[14840.A\]](#).
2. Check if the drive belt is centered evenly on the drive pulley, flywheel pulley, and tensioner pulley. If the drive belt needs to be adjusted, please refer to the "Replace the Drive Belt" section of the ***service manual***. Follow along with the procedure until the drive belt is removed, then replace the belt onto the pulleys. Make sure that the belt is centered when reinstalling [\[14840.B\]](#).
3. Check each pulley to make sure they are not canted to one side. The pulleys should be positioned parallel to one another. If any pulley is not parallel/canted to the side, [order a Whole Good Replacement \[14840.C\]](#).
4. Inspect each pulley for damage. During your inspection, ensure the hardware on each pulley is tight (**reference 1**). If damage is present or the issue persists, [order a Whole Good Replacement \[14840.D\]](#).

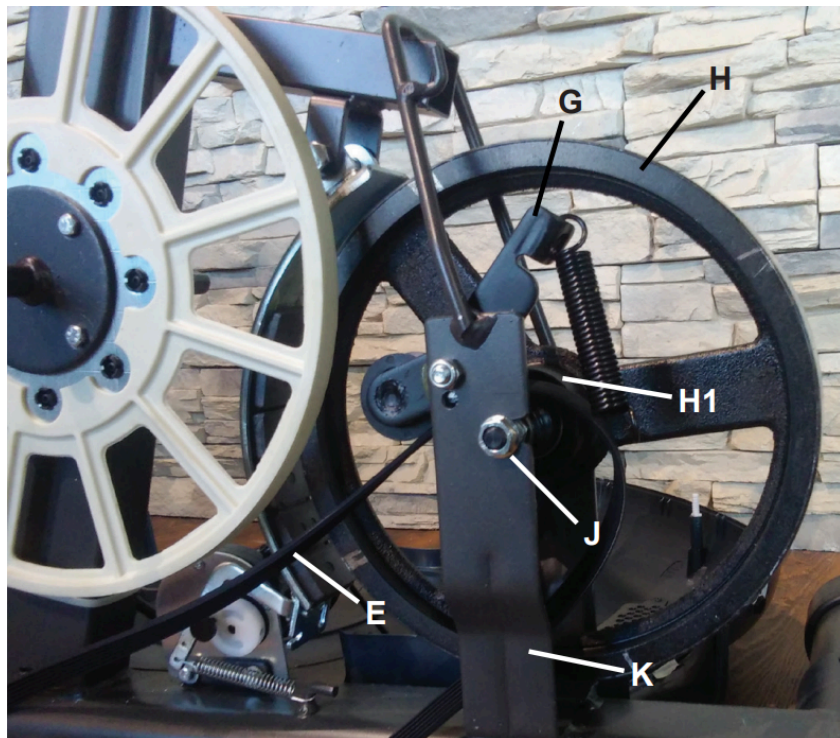
## Reference 1

**Drive Pulley**



Tighten the bolt labeled 'E' using a 32mm or adjustable open-end wrench.

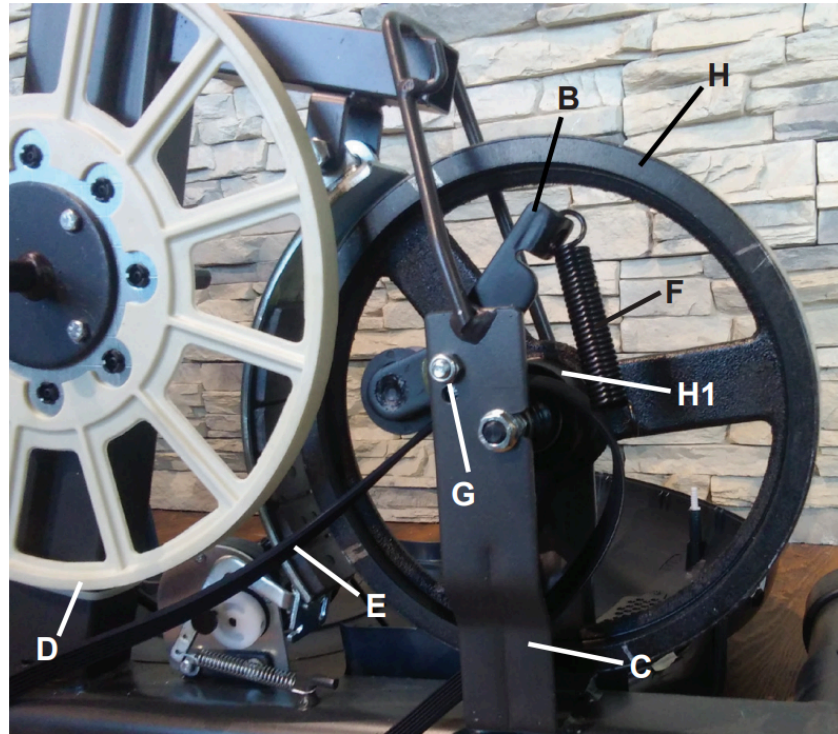
**Flywheel Pulley**



The Flywheel Pulley is labeled 'H1'.

Tighten the bolt labeled 'J' using a 15mm open-end wrench and a 15mm socket wrench

**Tensioner Pulley**



The Belt Tensioner is labeled 'B'; the tensioner pulley is shown just to the left of the bolt labeled 'G'.

Tighten the bolt labeled 'G' using a 13mm wrench and a 6mm Allen wrench.

**Need to order replacement parts?**

1 Customer Care Contact Information

Please contact Customer Care at **1-800-605-3369** for additional help or to order replacement parts. Some replacement parts may also be available for purchase [online here](#). A list of part numbers referenced within this guide can be located at the bottom of this page.

**Customer Care - Hours of Operation:**  
Monday - Friday 6:00am - 5:00pm PST

The replacement part will be provided to you at no cost assuming your machine meets the warranty eligibility requirements. A Customer Care Agent will be able to assess your current warranty eligibility and provide you with your options.

Please note that if you did not purchase your machine directly from BowFlex, Schwinn, or Nautilus, we will need a copy of your purchase receipt in order to register your machine for warranty.

2 Parts Reference Table

Part Description	Part SKU
------------------	----------

<b>Drive Belt</b>	<b>8001999</b>
-------------------	----------------

### 3 Contact Tech Team / Advanced Troubleshooting

***If the issue was not resolved in the steps listed, contact the Tech Team or send an Advanced Troubleshooting case.***

**Submit a Case with case type Advanced Troubleshooting**