



This addendum provides additional instructions on how to properly attach the Pedals on the Bowflex™ C6 and Schwinn™ Indoor Cycling exercise bikes.

Note: The left Pedal is reverse-threaded and must be turned counter-clockwise.


If you need assistance, please call Nautilus Customer Service (if purchased in US/Canada) or your local distributor (if purchased outside US/Canada). To find your local distributor, go to: www.nautilusinternational.com

 This icon means a potentially hazardous situation which, if not avoided, could result in death or serious injury. Read and understand all Warnings on this machine.

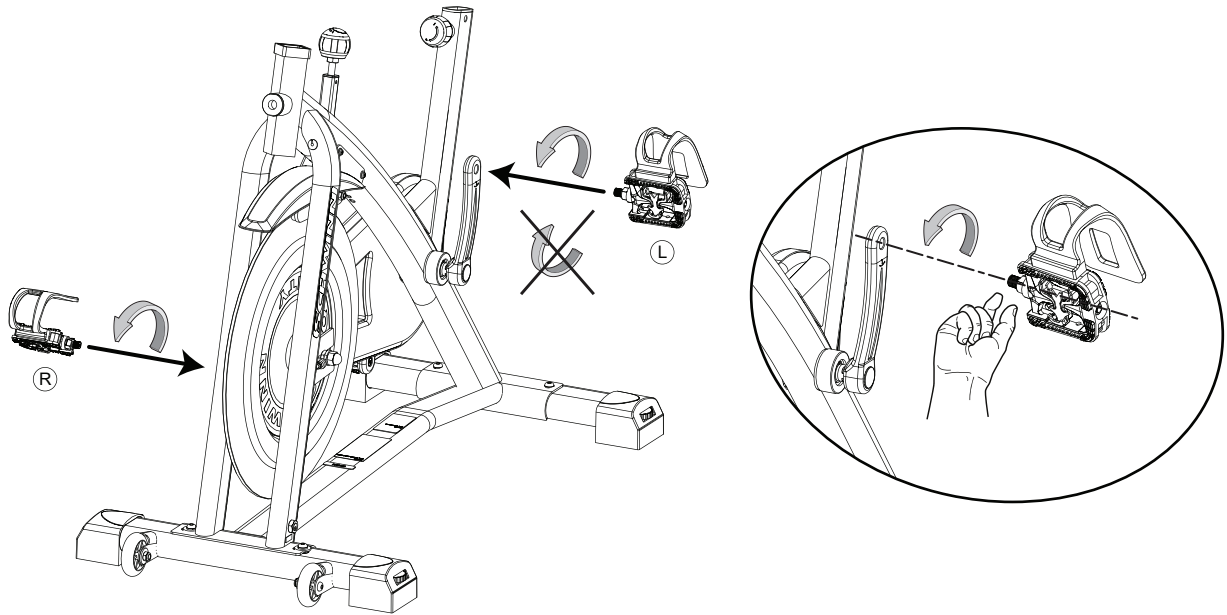
Nautilus, Inc., www.NautilusInc.com, 5415 Centerpoint Parkway, Groveport, OH 43125 U.S.A. - Customer Service: North America (800) 605-3369, csnls@nautilus.com | outside U.S. www.nautilusinternational.com | Printed in China | © 2020 Nautilus, Inc. | Schwinn, Bowflex, Nautilus and the Cam logo are trademarks owned or licensed by Nautilus, Inc., registered or otherwise protected by common law in the United States and other nations. | **ORIGINAL DOCUMENT - ENGLISH VERSION ONLY**

 Refer to the Assembly Manual for complete safety instructions.

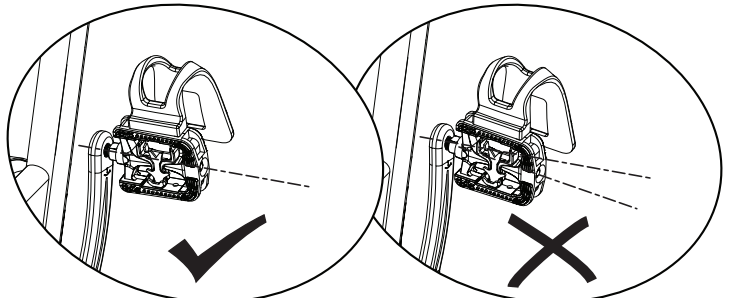
The following procedure provides additional details to assist with the proper installation of the Pedals. The Pedals **MUST** be installed straight into the Crank Arms by hand or the threads that secure the Pedals may strip.

 If the threads strip due to improper installation, then the Pedals can disengage from the bike and/or break while under usage, which can result in serious injury to the user.

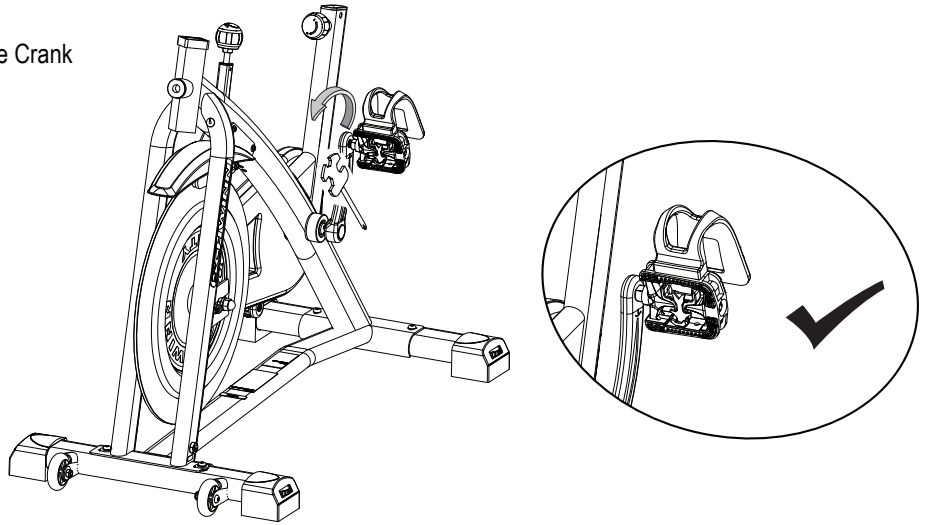
The Left Pedal is reverse-threaded. Be sure to attach the Pedals on the proper side of the bike. Orientation is based from a seated position on the bike. The Left Pedal has an “L”, the Right Pedal an “R”.



1. Start the Pedal by hand. If you feel resistance and the Pedal does not turn smoothly into the Crank Arm, make sure that the threads are aligned correctly. Be sure that the Pedal is going on straight into the Crank Arm. If the Pedal is not in-line with the opening, remove the Pedal and start again.



2. With the Pedal started by several hand turns into the Crank Arm, fully tighten it with the Pedal Wrench.



3. Confirm that the Pedal is fully tightened with the Pedal Wrench.

4. Repeat with the other Pedal.

Note: Be sure to check the Pedals weekly to confirm that they are fully tightened.

⚠ Since this machine operates with a fixed gear, do not back, or reverse, pedal. Doing so may loosen the Pedals, which could result in damage to the machine and/or injury to the user. Never operate this machine with loose Pedals.