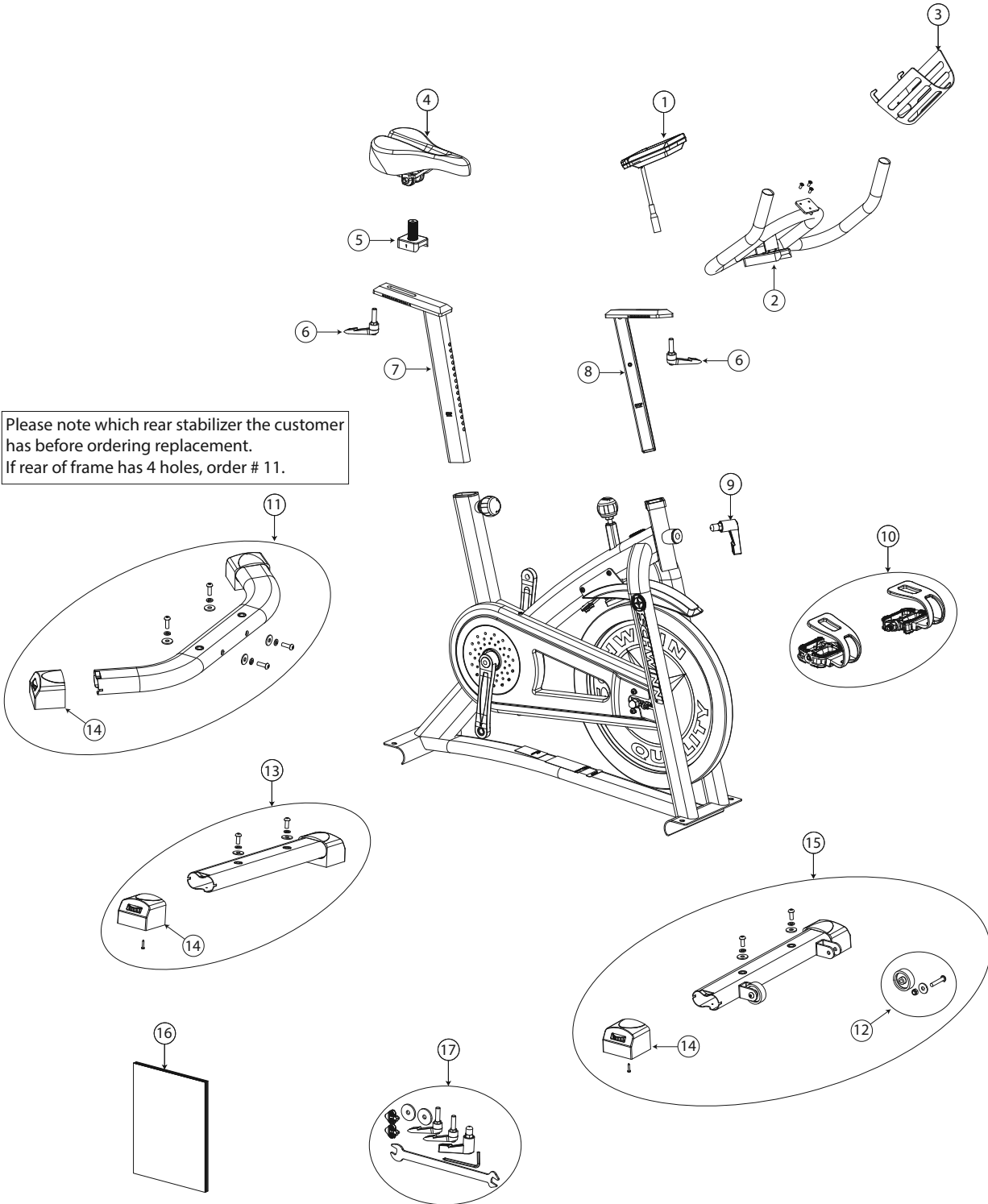


TITLE EXP VIEW DWG- SCH IC3 BIKE, MY17			
DRAWN R. PETERSON	DOC. PART NO. 100718-W	PRODUCT SKU NO. 100718	REV. T
DATE 10/04/2022			



Please note which rear stabilizer the customer has before ordering replacement.
If rear of frame has 4 holes, order # 11.

